

Racing Kit Parts List

This catalog covers:

'11 ZX1000JBFR Engine

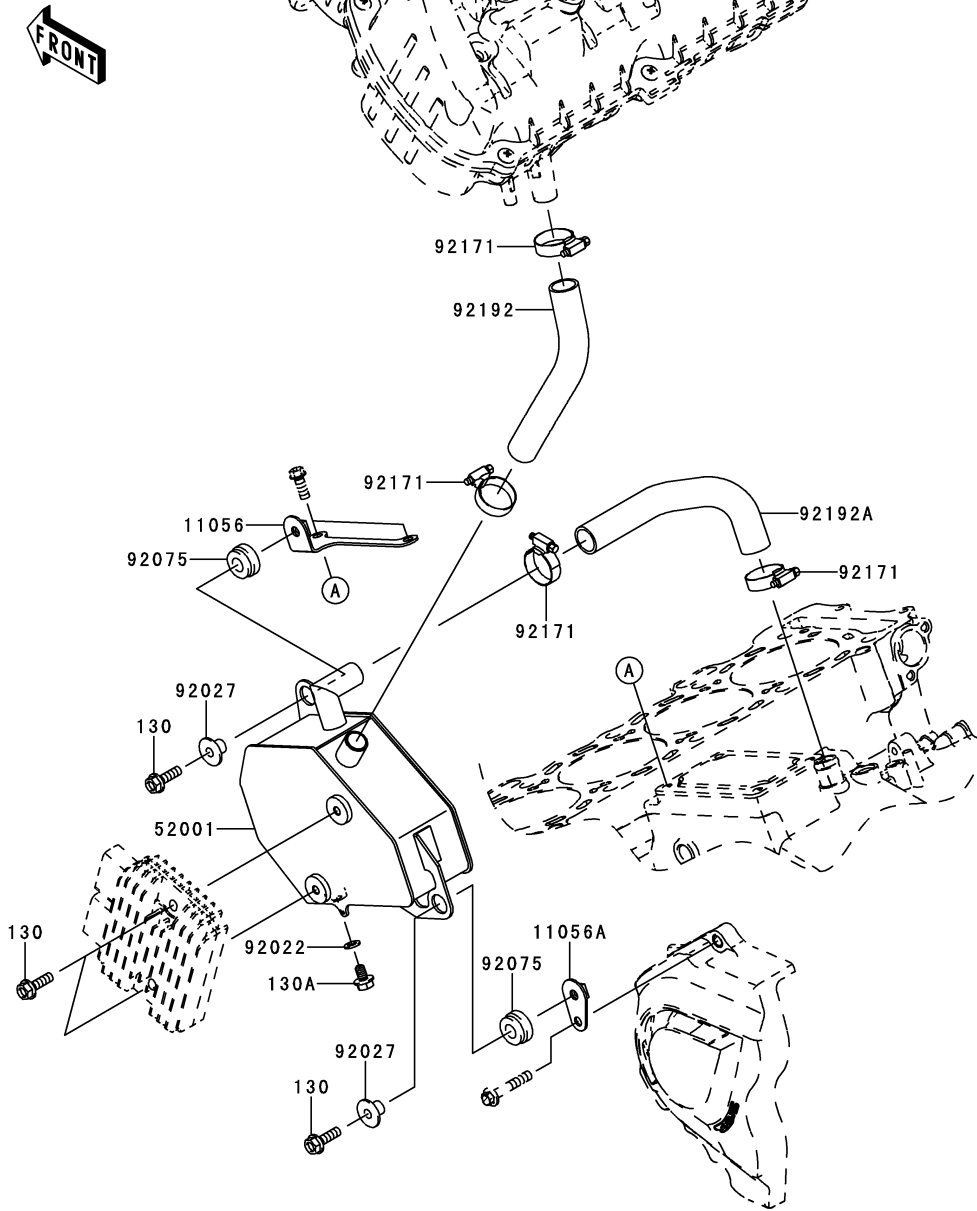
GRID NO. ZX1000, 2011, 2013 This grid covers:

B-3

Oil Catch Tank

Kawasaki

E1130



Ref. No.	Part No.	Description	Spec Code	Quantity-ZX1000	
				'11	JBFR
11056	11056-1232 (OPTION)	BRACKET,OIL TANK,UPP		1	
11056A	11056-1233 (OPTION)	BRACKET,OIL TANK,LWR		1	
52001	52001-0553 (OPTION)	TANK-OIL		1	
92022	92022-304 (OPTION)	WASHER,6.2X11X1		1	
92027	92027-194 (OPTION)	COLLAR,L=11.1		2	
92075	92075-277 (OPTION)	DAMPER		2	
92171	92171-0338 (OPTION)	CLAMP		4	
92192	92192-1025 (OPTION)	TUBE,TANK-A/C		1	
92192A	92192-1026 (OPTION)	TUBE,CASE-TANK		1	
130	130BA0620 (OPTION)	BOLT-FLANGED,6X20		4	
130A	130BD0610 (OPTION)	BOLT-FLANGED,6X10		1	

This catalog covers:

'11 ZX1000JBFR Engine

GRID NO. ZX1000J-2011-2013

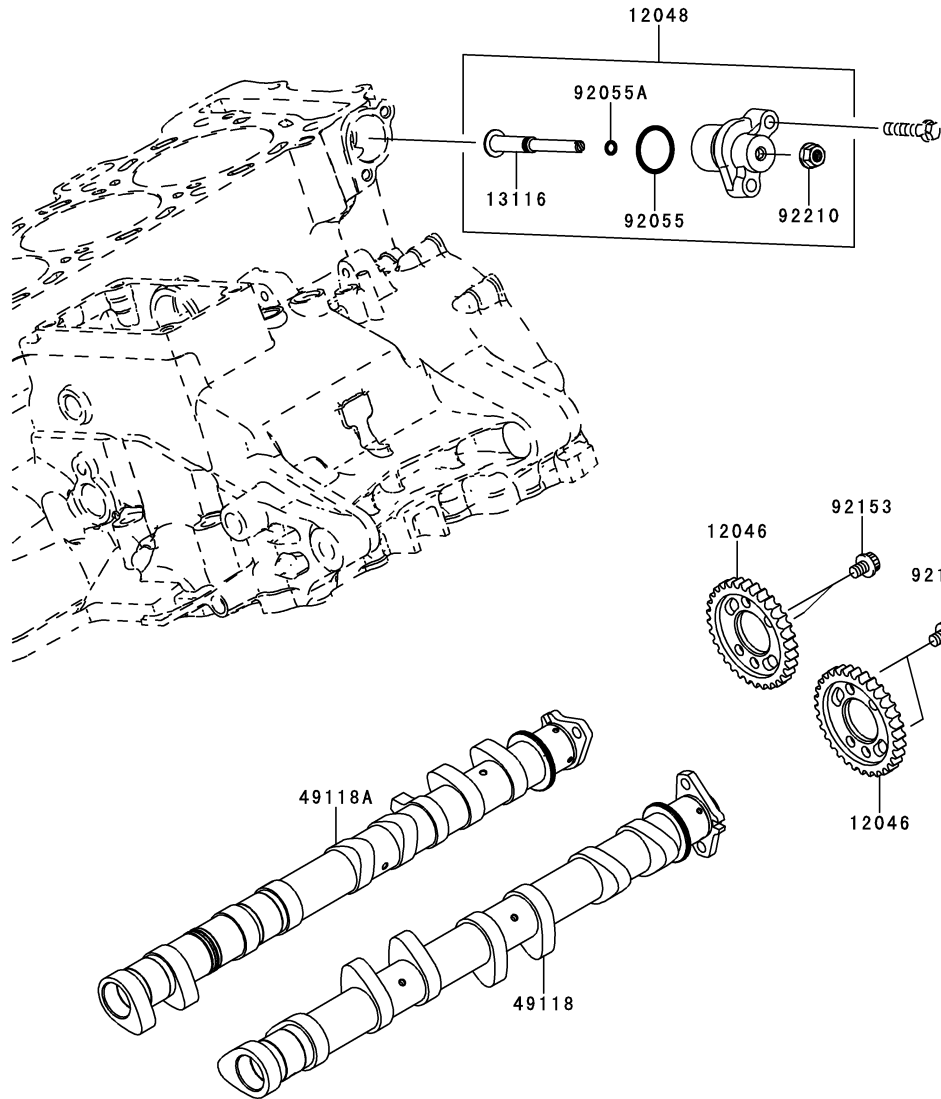
B-4

This grid covers:

Camshaft(s)/Tensioner

Kawasaki

E1230



Ref. No.	Part No.	Description	Spec Code	Quantity-ZX1000	
				'11	JBFR
12046	12046-0034 (OPTION)	SPROCKET,32T		2	
12048	12048-0082 (OPTION)	TENSIONER-ASSY		1	
13116	13116-1166 (OPTION)	ROD-PUSH		1	
49118	49118-0728 (OPTION)	CAMSHAFT-COMP,INTAKE		1	
49118A	49118-0729 (OPTION)	CAMSHAFT-COMP,EXHAUST		1	
92055	92055-0053 (OPTION)	RING-O,20.8X1.9		1	
92055A	92055-011 (OPTION)	RING-O,5MM		1	
92153	92153-0455 (OPTION)	BOLT,FLANGED,6X8		4	
92210	92210-0630 (OPTION)	NUT,FLANGED,6MM		1	

This catalog covers:

'11 ZX1000JBFR Engine

GRID NO. ZX1000J-2011-2013

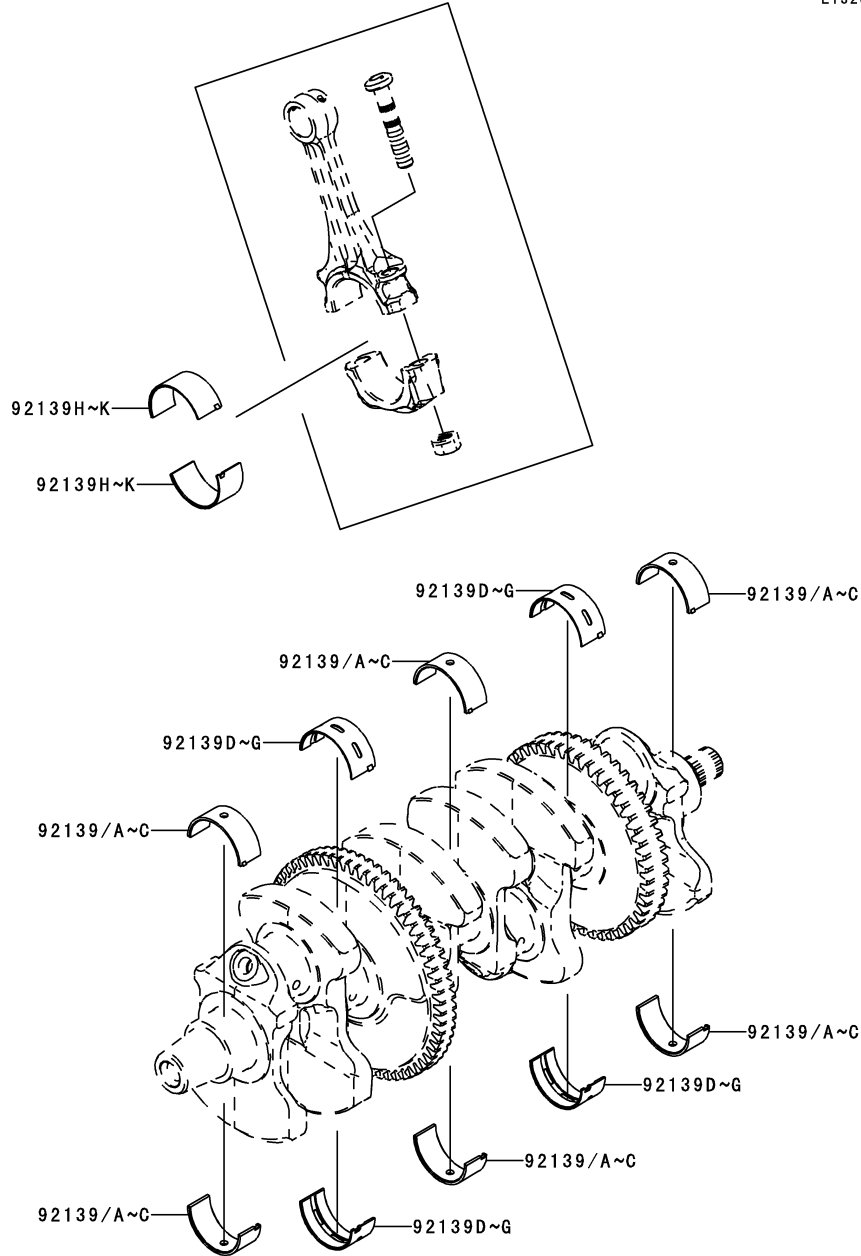
B-5

This grid covers:

Crankshaft/Piston(s)

Kawasaki

E1320



Ref. No.	Part No.	Description	Spec Code	Quantity-ZX1000			
				'11			
				JBFR			
92139	92139-0746	BUSHING,#1,BLUE (OPTION)	AR				
92139A	92139-0747	BUSHING,#1,BLACK (OPTION)	6				
92139B	92139-0748	BUSHING,#1,BROWN (OPTION)	AR				
92139C	92139-0749	BUSHING,#1,PINK (OPTION)	AR				
92139D	92139-0750	BUSHING,#2,BLUE (OPTION)	AR				
92139E	92139-0751	BUSHING,#2,BLACK (OPTION)	4				
92139F	92139-0752	BUSHING,#2,BROWN (OPTION)	AR				
92139G	92139-0753	BUSHING,#2,PINK (OPTION)	AR				
92139H	92139-0754	BUSHING,CONROD,BLUE (OPTION)	AR				
92139I	92139-0755	BUSHING,CONROD,BLACK (OPTION)	AR				
92139J	92139-0756	BUSHING,CONROD,BROWN (OPTION)	8				
92139K	92139-0757	BUSHING,CONROD,PINK (OPTION)	AR				

This catalog covers:

'11 ZX1000JBFR Engine

ZX1000, 2011, 2013

GRID NO.

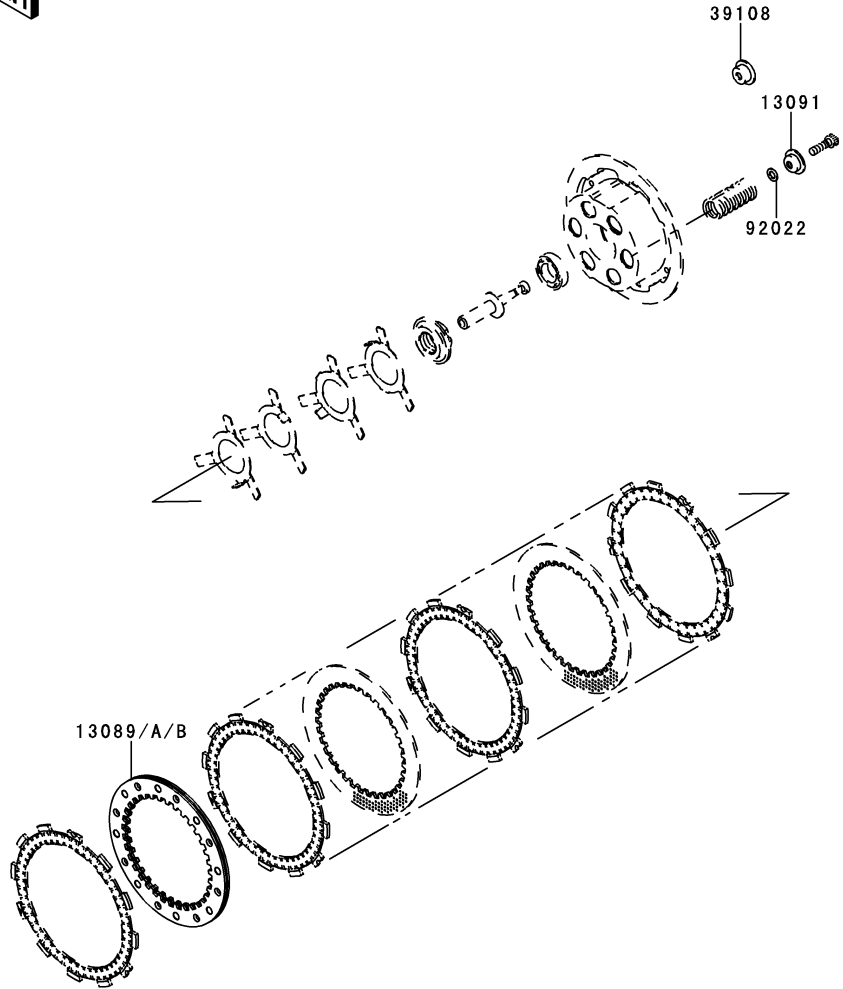
B-6

This grid covers:

Clutch

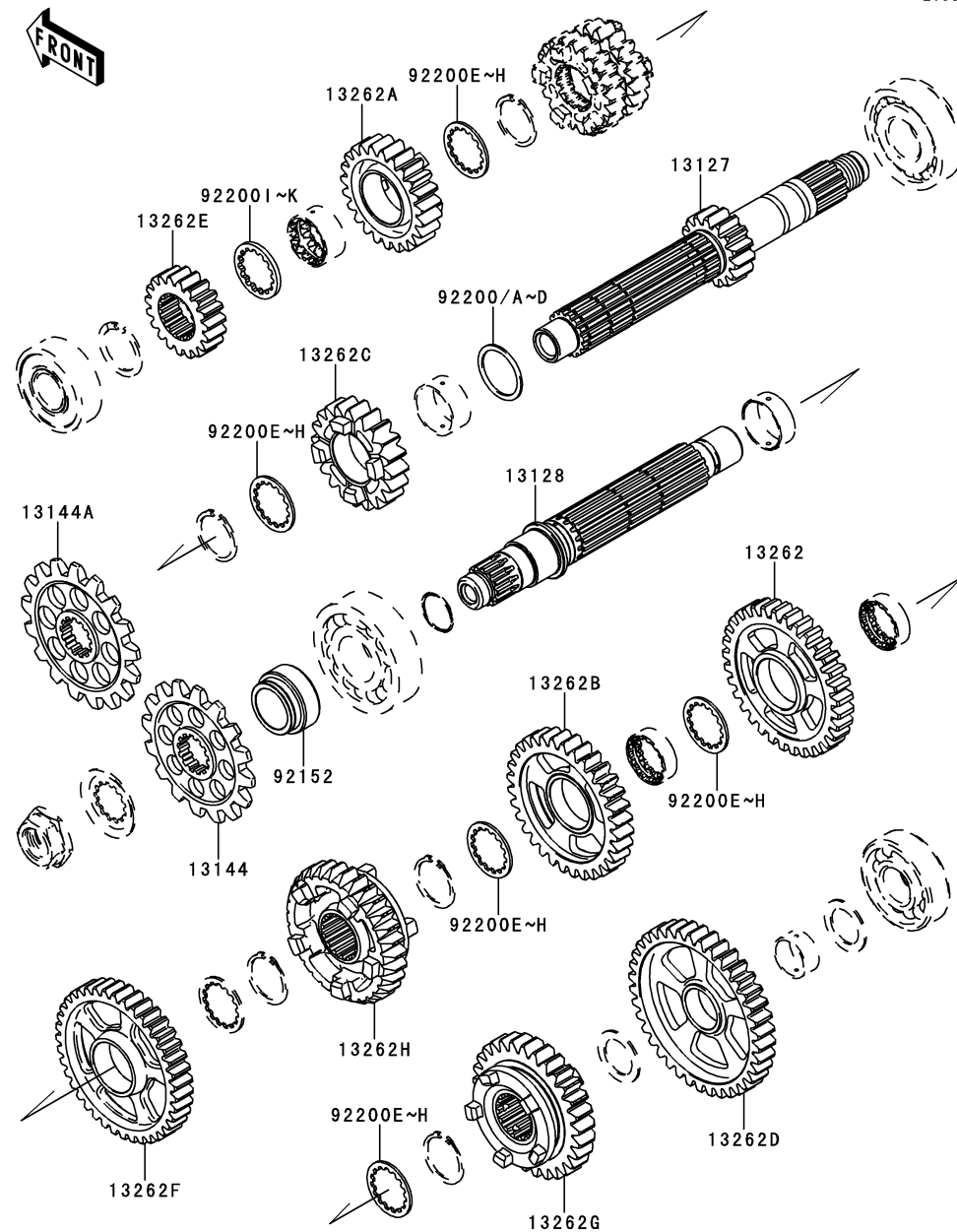
Kawasaki

E1350



Ref. No.	Part No.	Description	Spec Code	Quantity-ZX1000			
				'11			
13089	13089-0003	PLATE-CLUTCH,STD (OPTION)					1
13089A	13089-0011	PLATE-CLUTCH,STD +40% (OPTION)					1
13089B	13089-0012	PLATE-CLUTCH,STD +60% (OPTION)					1
13091	13091-1041	HOLDER,CLUTCH SPRING (OPTION)					6
39108	39108-0005	RETAINER-SPRING,STD+1MM (OPTION)					6
92022	92022-304	WASHER,6.2X11X1 (OPTION)					6

E1361



Ref. No.	Part No.	Description	Spec Code	Quantity-ZX1000	
				'11	JBFR
13127	13127-0638 (OPTION)	SHAFT-TRANSMISSION INPUT,15T		1	
13128	13128-0671 (OPTION)	SHAFT-TRANSMISSION OUTPUT		1	
13144	13144-0021 (OPTION)	SPROCKET-OUTPUT,16T,#520		1	
13144A	13144-0022 (OPTION)	SPROCKET-OUTPUT,17T,#520		1	
13262	13262-0618 (OPTION)	GEAR,OUTPUT 3RD,33T		1	
13262A	13262-0622 (OPTION)	GEAR,INPUT 6TH,23T		1	
13262B	13262-0645 (OPTION)	GEAR,OUTPUT 4TH,32T		1	
13262C	13262-0648 (OPTION)	GEAR,INPUT 5TH,21T		1	
13262D	13262-0664 (OPTION)	GEAR,OUTPUT LOW,38T		1	
13262E	13262-0856 (OPTION)	GEAR,INPUT 2ND,19T		1	
13262F	13262-0880 (OPTION)	GEAR,OUTPUT 2ND,39T		1	
13262G	13262-0901 (OPTION)	GEAR,OUTPUT 5TH,29T		1	
13262H	13262-0905 (OPTION)	GEAR,OUTPUT 6TH,30T		1	
92152	92152-1522 (OPTION)	COLLAR,SPROCKET		1	
92200	92200-0051 (OPTION)	WASHER,28.1X34.0X1.2		AR	
92200A	92200-0225 (OPTION)	WASHER,28.1X34.0X0.8		AR	
92200B	92200-0226 (OPTION)	WASHER,28.1X34.0X1.0		AR	
92200C	92200-0227 (OPTION)	WASHER,28.1X34.0X1.4		AR	
92200D	92200-0228 (OPTION)	WASHER,28.1X34.0X1.6		AR	
92200E	92200-0229 (OPTION)	WASHER,28.3X34.0X1.2		AR	
92200F	92200-0230 (OPTION)	WASHER,28.3X34.0X1.4		AR	

This catalog covers:

'11 ZX1000JBFR Engine

GRID NO. ZX1000-2011-2013

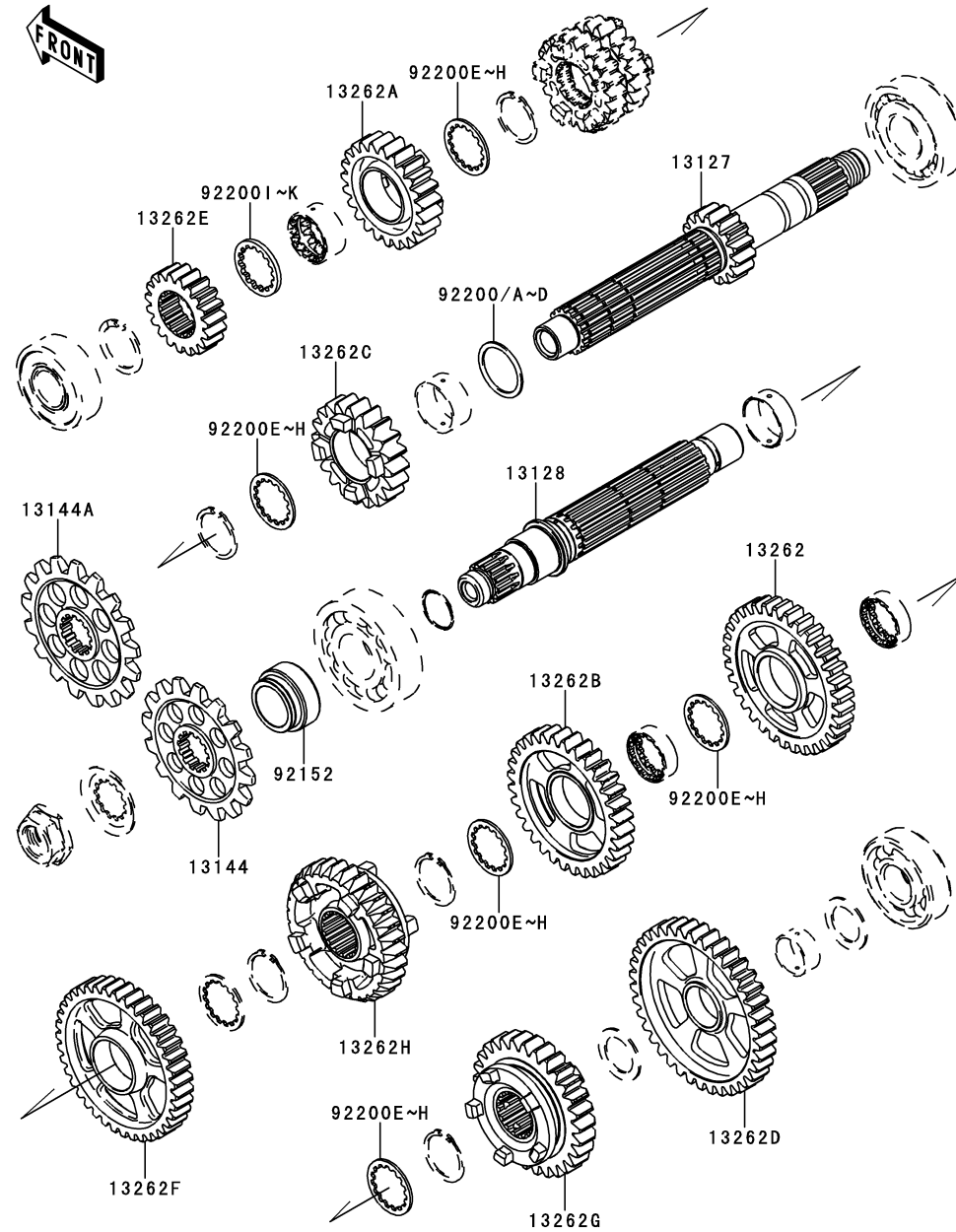
B-8

This grid covers:

Transmission(2/2)(TYPE-A)

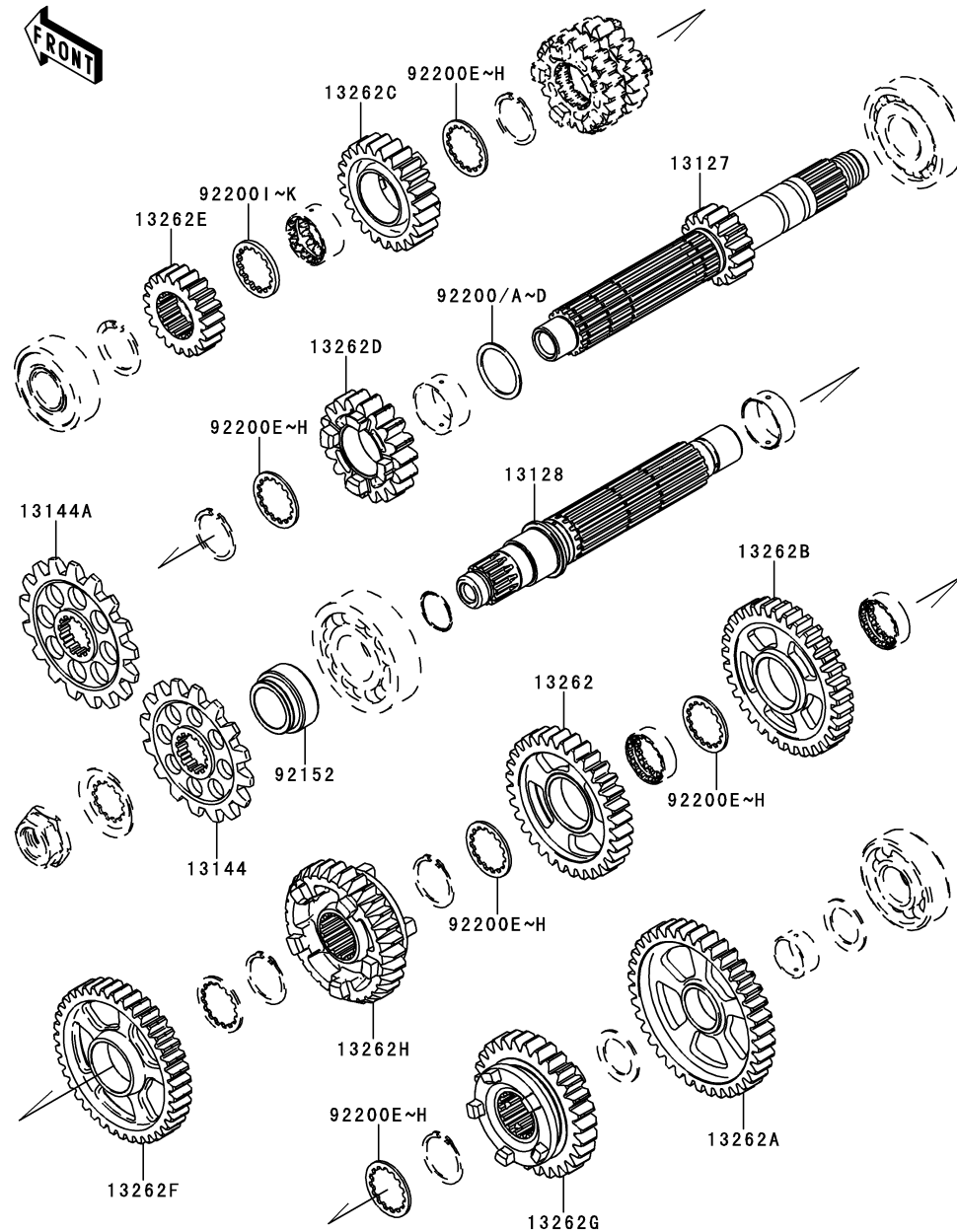
Kawasaki

E1361



Ref. No.	Part No.	Description	Spec Code	Quantity-ZX1000			
				'11			
92200G	92200-0231 (OPTION)	WASHER,28.3X34.0X1.8	AR				
92200H	92200-0232 (OPTION)	WASHER,28.3X34.0X2.0	AR				
92200I	92200-0748 (OPTION)	WASHER,28.3X34.0X2.6	AR				
92200J	92200-0749 (OPTION)	WASHER,28.3X34.0X2.8	AR				
92200K	92200-0750 (OPTION)	WASHER,28.3X34.0X3.0	AR				

E1361A



Ref. No.	Part No.	Description	Spec Code	Quantity-ZX1000	
				'11	JBFR
13127	13127-0639 (OPTION)	SHAFT-TRANSMISSION INPUT,13T		1	
13128	13128-0671 (OPTION)	SHAFT-TRANSMISSION OUTPUT		1	
13144	13144-0021 (OPTION)	SPROCKET-OUTPUT,16T,#520		1	
13144A	13144-0022 (OPTION)	SPROCKET-OUTPUT,17T,#520		1	
13262	13262-0619 (OPTION)	GEAR,OUTPUT 4TH,31T		1	
13262A	13262-0624 (OPTION)	GEAR,OUTPUT LOW,31T		1	
13262B	13262-0642 (OPTION)	GEAR,OUTPUT 3RD,34T		1	
13262C	13262-0652 (OPTION)	GEAR,INPUT 6TH,21T		1	
13262D	13262-0881 (OPTION)	GEAR,INPUT 5TH,18T		1	
13262E	13262-0895 (OPTION)	GEAR,INPUT 2ND,19T		1	
13262F	13262-0898 (OPTION)	GEAR,OUTPUT 2ND,37T		1	
13262G	13262-0902 (OPTION)	GEAR,OUTPUT 5TH,26T		1	
13262H	13262-0906 (OPTION)	GEAR,OUTPUT 6TH,29T		1	
92152	92152-1522 (OPTION)	COLLAR,SPROCKET		1	
92200	92200-0051 (OPTION)	WASHER,28.1X34.0X1.2		AR	
92200A	92200-0225 (OPTION)	WASHER,28.1X34.0X0.8		AR	
92200B	92200-0226 (OPTION)	WASHER,28.1X34.0X1.0		AR	
92200C	92200-0227 (OPTION)	WASHER,28.1X34.0X1.4		AR	
92200D	92200-0228 (OPTION)	WASHER,28.1X34.0X1.6		AR	
92200E	92200-0229 (OPTION)	WASHER,28.3X34.0X1.2		AR	
92200F	92200-0230 (OPTION)	WASHER,28.3X34.0X1.4		AR	

This catalog covers:

'11 ZX1000JBFR Engine

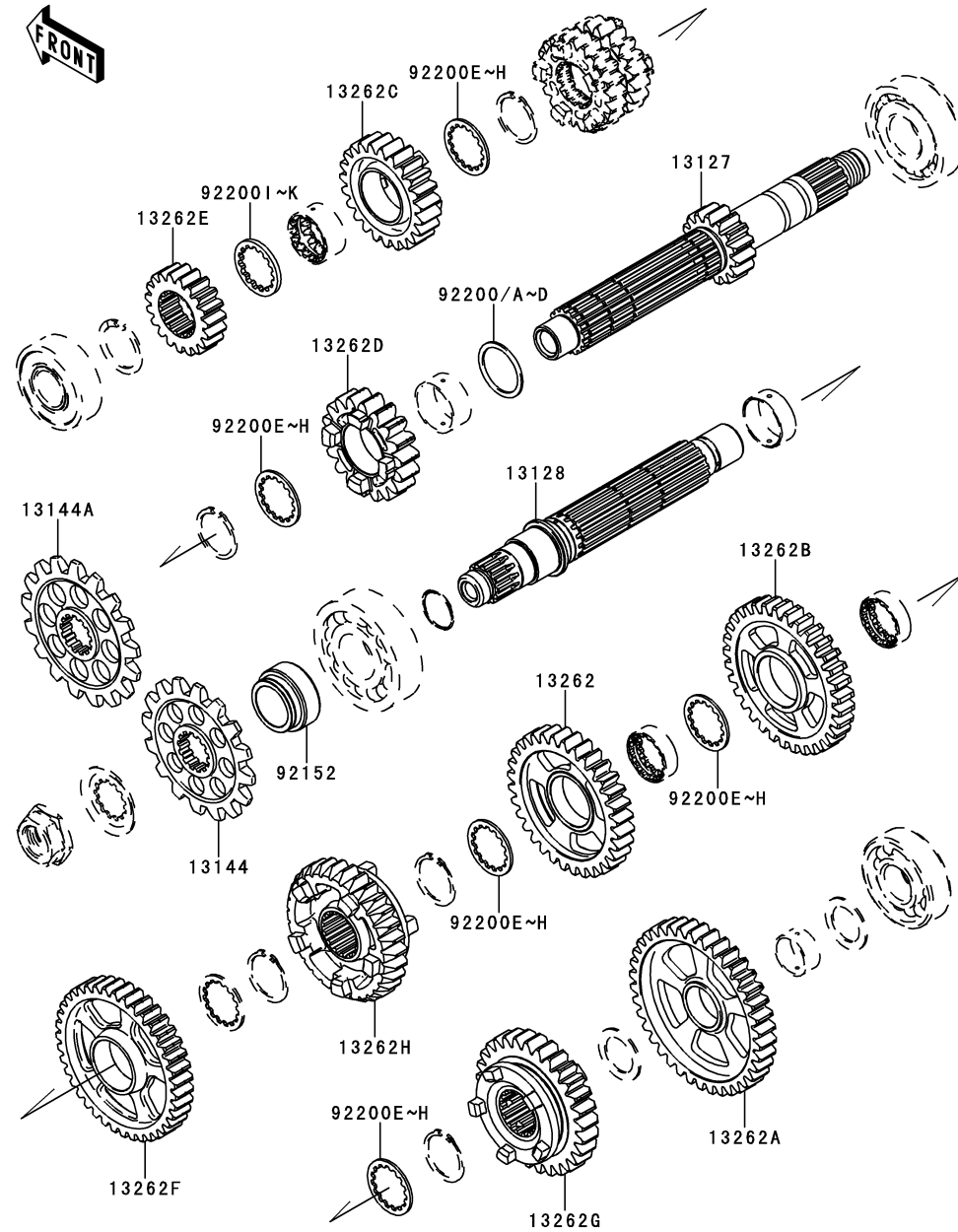
GRID NO. ZX1000J 2011-2013 This grid covers:

B-10

Transmission(2/2)(TYPE-B)

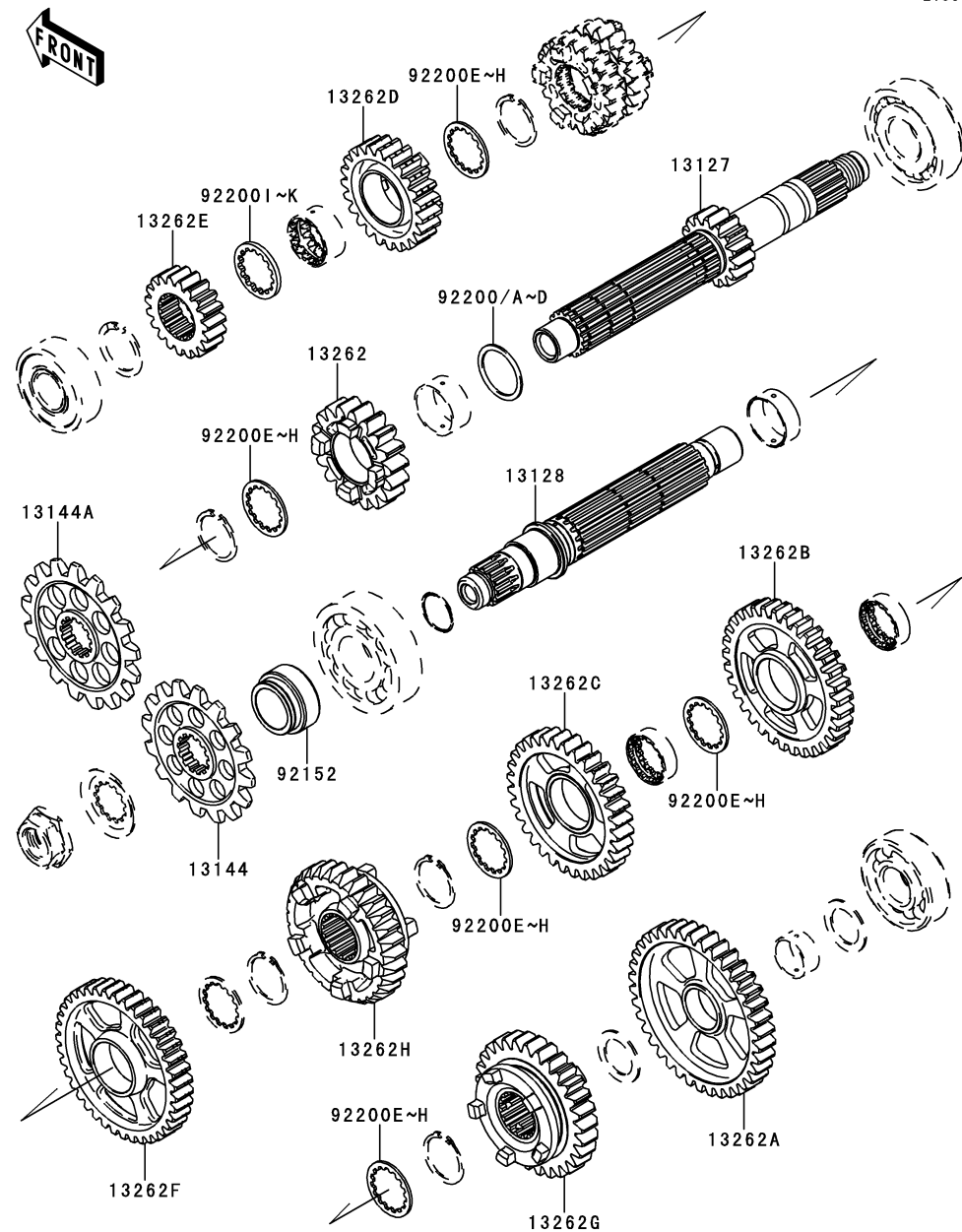
Kawasaki

E1361A



Ref. No.	Part No.	Description	Spec Code	Quantity-ZX1000			
				'11			
92200G	92200-0231 (OPTION)	WASHER,28.3X34.0X1.8	AR				
92200H	92200-0232 (OPTION)	WASHER,28.3X34.0X2.0	AR				
92200I	92200-0748 (OPTION)	WASHER,28.3X34.0X2.6	AR				
92200J	92200-0749 (OPTION)	WASHER,28.3X34.0X2.8	AR				
92200K	92200-0750 (OPTION)	WASHER,28.3X34.0X3.0	AR				

E1361B



Ref. No.	Part No.	Description	Spec Code	Quantity-ZX1000	
				'11	JBFR
13127	13127-0640 (OPTION)	SHAFT-TRANSMISSION INPUT,14T		1	
13128	13128-0671 (OPTION)	SHAFT-TRANSMISSION OUTPUT		1	
13144	13144-0021 (OPTION)	SPROCKET-OUTPUT,16T,#520		1	
13144A	13144-0022 (OPTION)	SPROCKET-OUTPUT,17T,#520		1	
13262	13262-0620 (OPTION)	GEAR,INPUT 5TH,20T		1	
13262A	13262-0625 (OPTION)	GEAR,OUTPUT LOW,34T		1	
13262B	13262-0643 (OPTION)	GEAR,OUTPUT 3RD,28T		1	
13262C	13262-0646 (OPTION)	GEAR,OUTPUT 4TH,33T		1	
13262D	13262-0869 (OPTION)	GEAR,INPUT TOP,23T		1	
13262E	13262-0896 (OPTION)	GEAR,INPUT 2ND,18T		1	
13262F	13262-0899 (OPTION)	GEAR,OUTPUT 2ND,38T		1	
13262G	13262-0903 (OPTION)	GEAR,OUTPUT 5TH,28T		1	
13262H	13262-0907 (OPTION)	GEAR,OUTPUT 6TH,31T		1	
92152	92152-1522 (OPTION)	COLLAR,SPROCKET		1	
92200	92200-0051 (OPTION)	WASHER,28.1X34.0X1.2		AR	
92200A	92200-0225 (OPTION)	WASHER,28.1X34.0X0.8		AR	
92200B	92200-0226 (OPTION)	WASHER,28.1X34.0X1.0		AR	
92200C	92200-0227 (OPTION)	WASHER,28.1X34.0X1.4		AR	
92200D	92200-0228 (OPTION)	WASHER,28.1X34.0X1.6		AR	
92200E	92200-0229 (OPTION)	WASHER,28.3X34.0X1.2		AR	
92200F	92200-0230 (OPTION)	WASHER,28.3X34.0X1.4		AR	

This catalog covers:

'11 ZX1000JBFR Engine

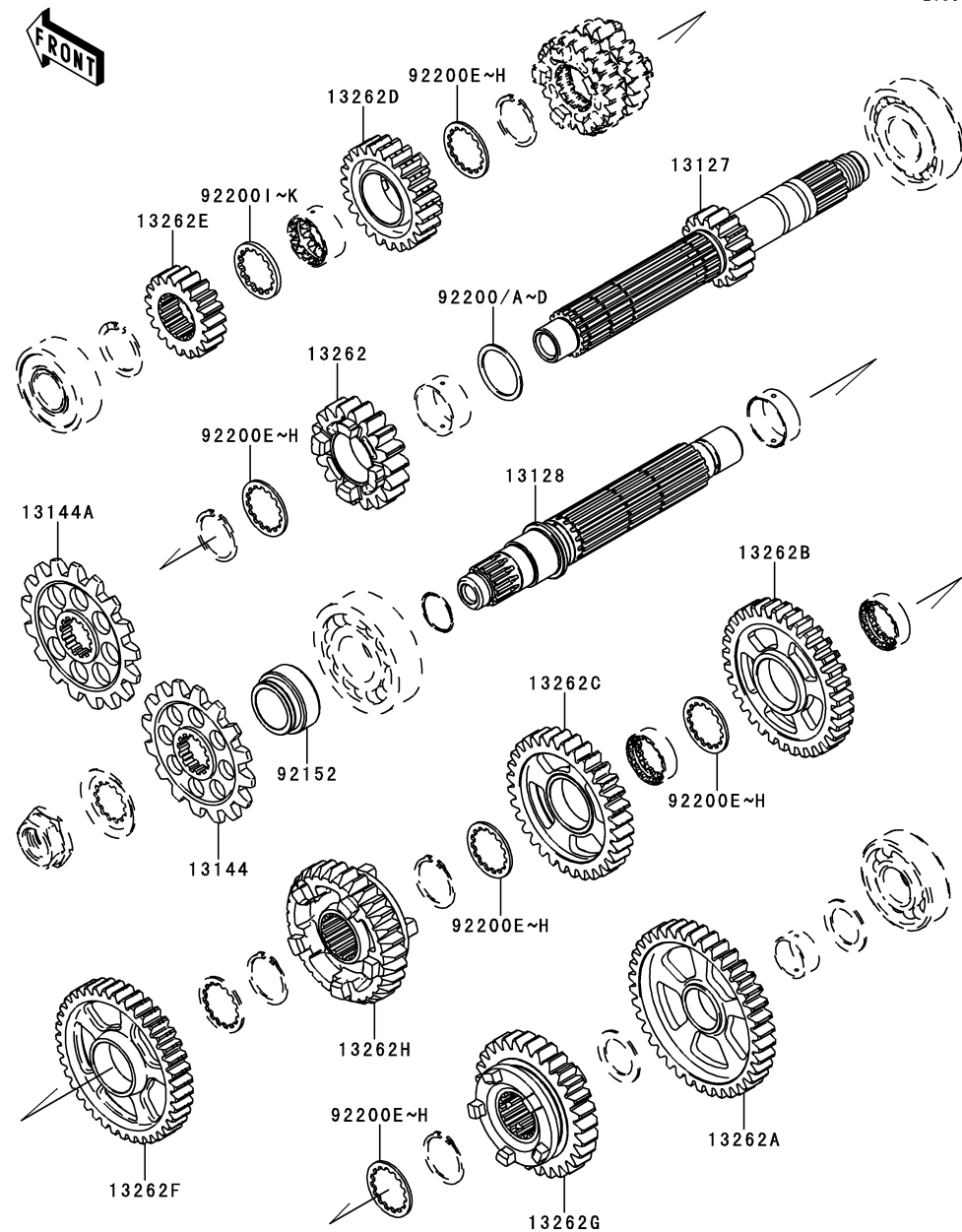
GRID NO. ZX1000J 2011-2013 This grid covers:

B-12

Transmission(2/2)(TYPE-C)

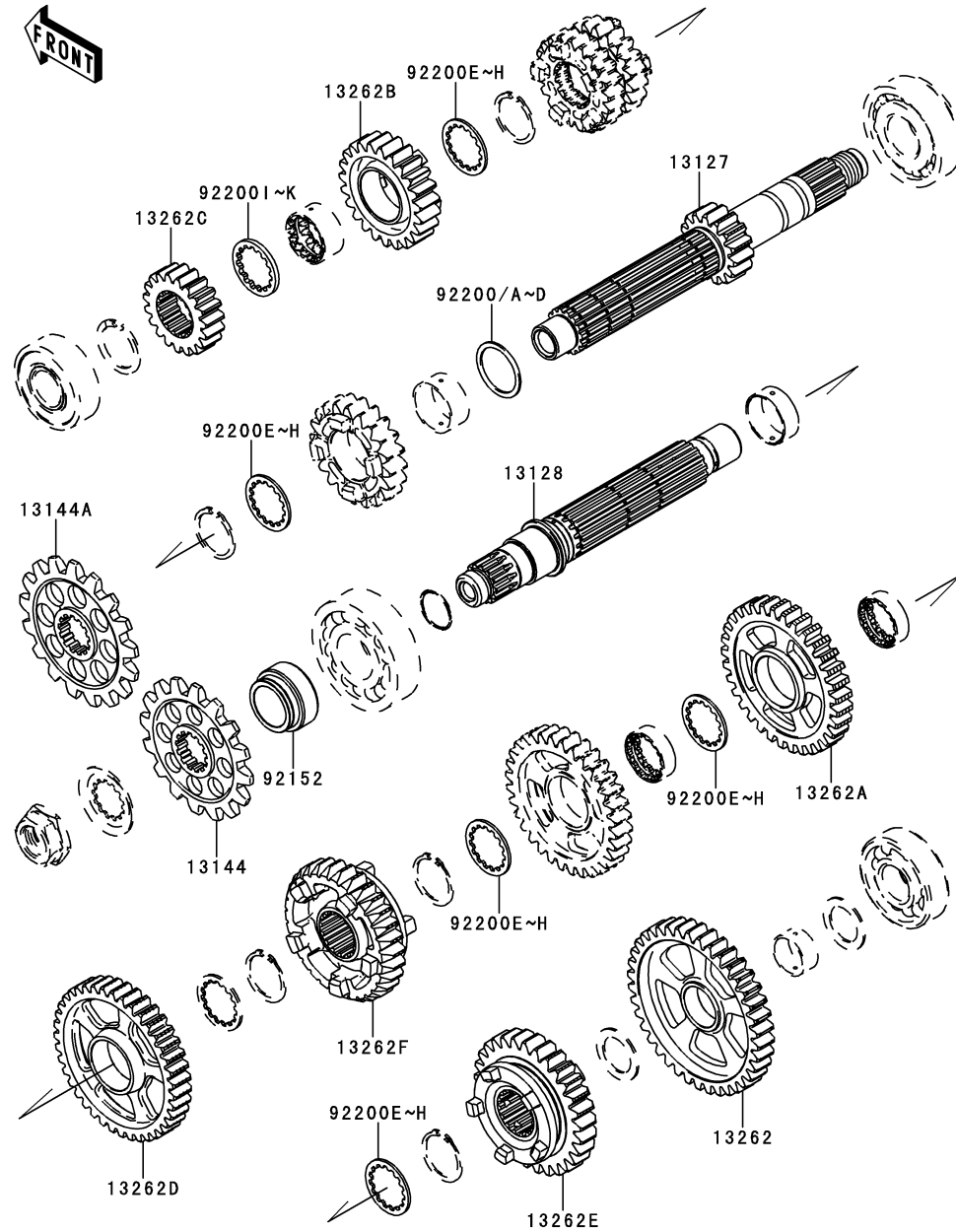
Kawasaki

E1361B



Ref. No.	Part No.	Description	Spec Code	Quantity-ZX1000			
				'11			
92200G	92200-0231 (OPTION)	WASHER,28.3X34.0X1.8	AR				
92200H	92200-0232 (OPTION)	WASHER,28.3X34.0X2.0	AR				
92200I	92200-0748 (OPTION)	WASHER,28.3X34.0X2.6	AR				
92200J	92200-0749 (OPTION)	WASHER,28.3X34.0X2.8	AR				
92200K	92200-0750 (OPTION)	WASHER,28.3X34.0X3.0	AR				

E13610



Ref. No.	Part No.	Description	Spec Code	Quantity-ZX1000	
				'11	JBFR
13127	13127-0641 (OPTION)	SHAFT-TRANSMISSION INPUT,16T		1	
13128	13128-0671 (OPTION)	SHAFT-TRANSMISSION OUTPUT		1	
13144	13144-0021 (OPTION)	SPROCKET-OUTPUT,16T,#520		1	
13144A	13144-0022 (OPTION)	SPROCKET-OUTPUT,17T,#520		1	
13262	13262-0626 (OPTION)	GEAR,OUTPUT LOW,37T		1	
13262A	13262-0644 (OPTION)	GEAR,OUTPUT 3RD,36T		1	
13262B	13262-0654 (OPTION)	GEAR,INPUT 6TH,22T		1	
13262C	13262-0897 (OPTION)	GEAR,INPUT 2ND,18T		1	
13262D	13262-0900 (OPTION)	GEAR,OUTPUT 2ND,36T		1	
13262E	13262-0904 (OPTION)	GEAR,OUTPUT 5TH,30T		1	
13262F	13262-0908 (OPTION)	GEAR,OUTPUT 6TH,28T		1	
92152	92152-1522 (OPTION)	COLLAR,SPROCKET		1	
92200	92200-0051 (OPTION)	WASHER,28.1X34.0X1.2		AR	
92200A	92200-0225 (OPTION)	WASHER,28.1X34.0X0.8		AR	
92200B	92200-0226 (OPTION)	WASHER,28.1X34.0X1.0		AR	
92200C	92200-0227 (OPTION)	WASHER,28.1X34.0X1.4		AR	
92200D	92200-0228 (OPTION)	WASHER,28.1X34.0X1.6		AR	
92200E	92200-0229 (OPTION)	WASHER,28.3X34.0X1.2		AR	
92200F	92200-0230 (OPTION)	WASHER,28.3X34.0X1.4		AR	
92200G	92200-0231 (OPTION)	WASHER,28.3X34.0X1.8		AR	
92200H	92200-0232 (OPTION)	WASHER,28.3X34.0X2.0		AR	

This catalog covers:

'11 ZX1000JBFR Engine

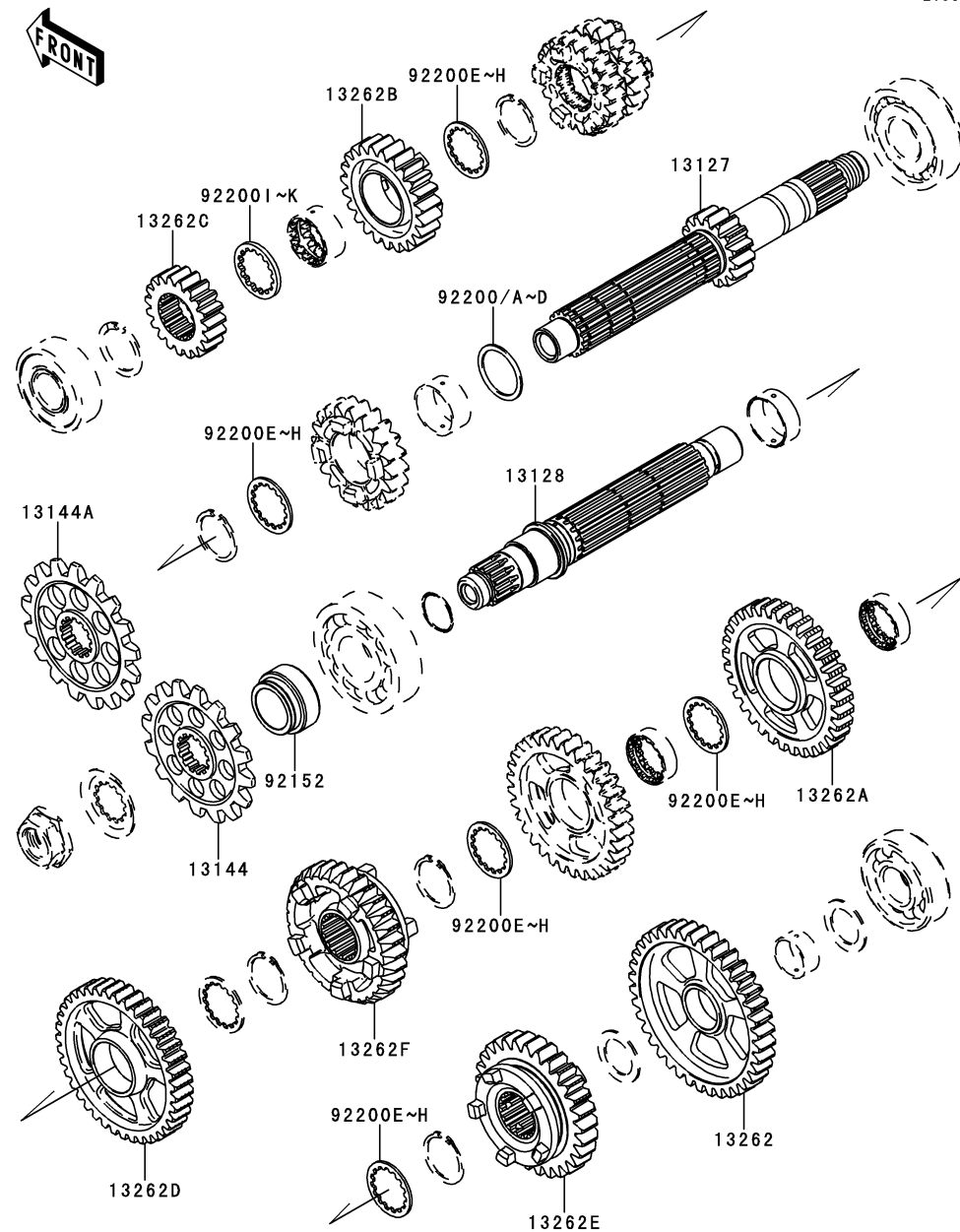
GRID NO. ZX1000J 2011-2013 This grid covers:

B-14

Transmission(2/2)(TYPE-D)

Kawasaki

E13610



Ref. No.	Part No.	Description	Spec Code	Quantity-ZX1000			
				'11			
92200I	92200-0748 (OPTION)	WASHER,28.3X34.0X2.6	AR				
92200J	92200-0749 (OPTION)	WASHER,28.3X34.0X2.8	AR				
92200K	92200-0750 (OPTION)	WASHER,28.3X34.0X3.0	AR				

This catalog covers:

'11 ZX1000JBFR Engine

GRID NO. ZX1000J 2011-2013

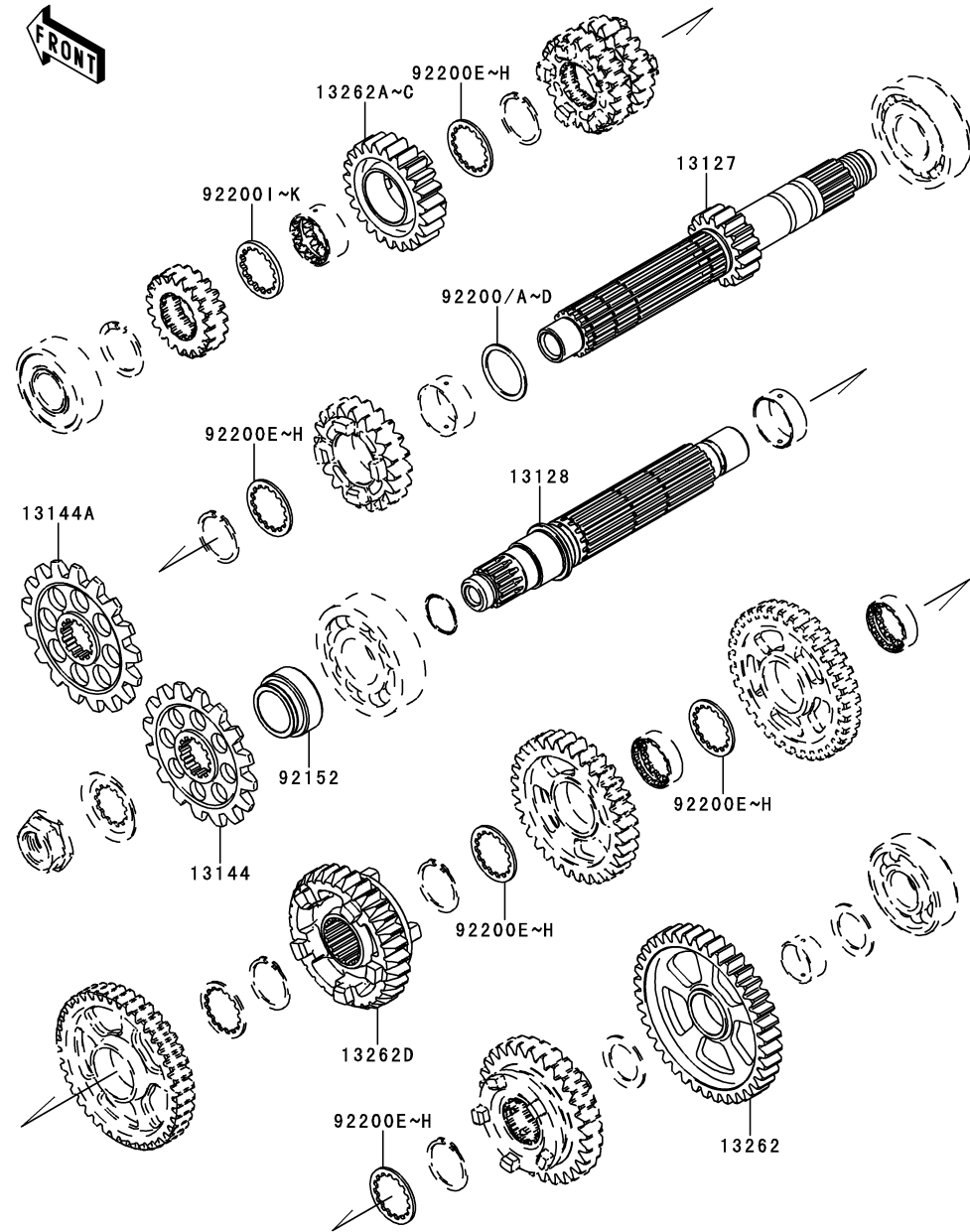
C-4

This grid covers:

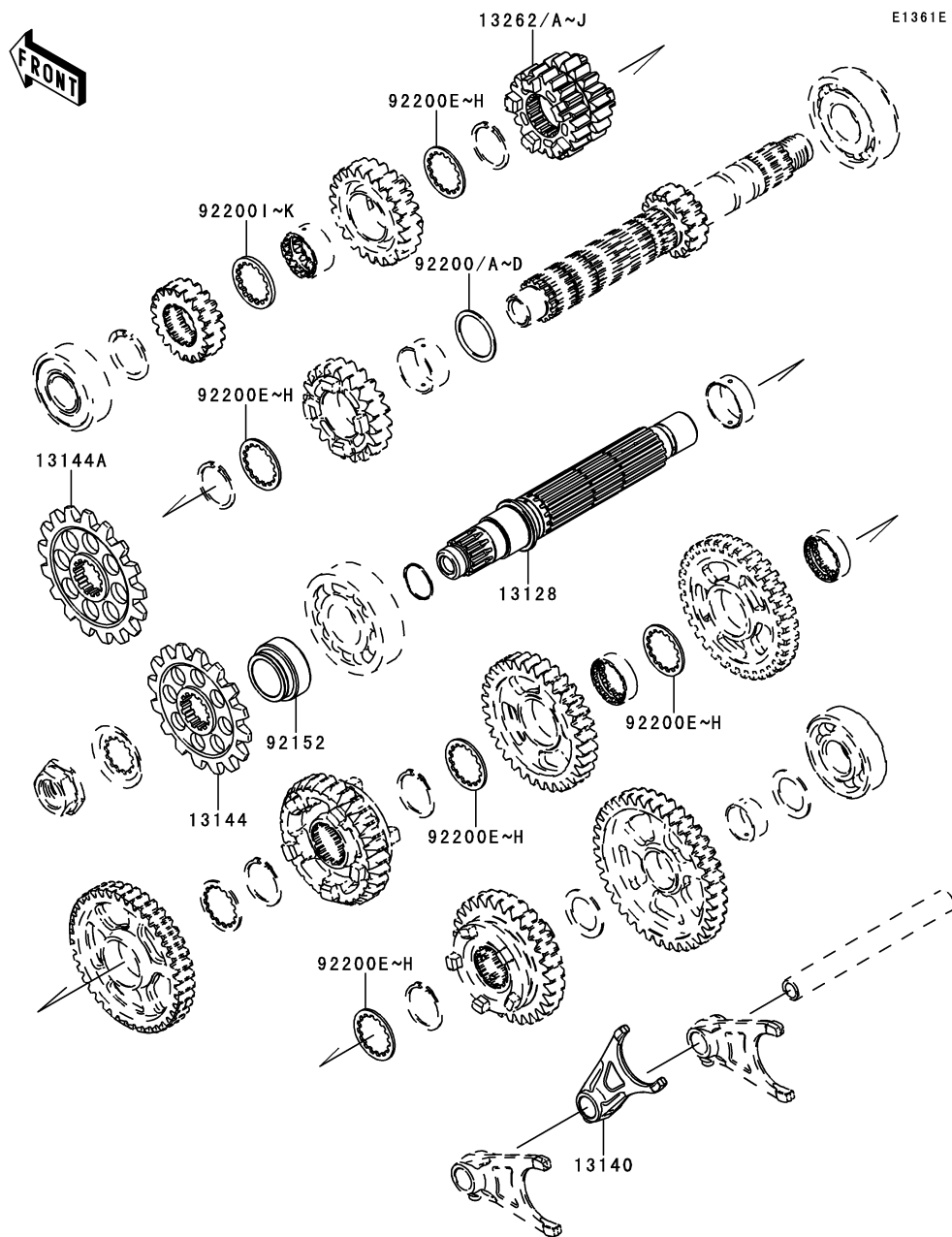
Transmission(2/2)(TYPE-E/F/G)

Kawasaki

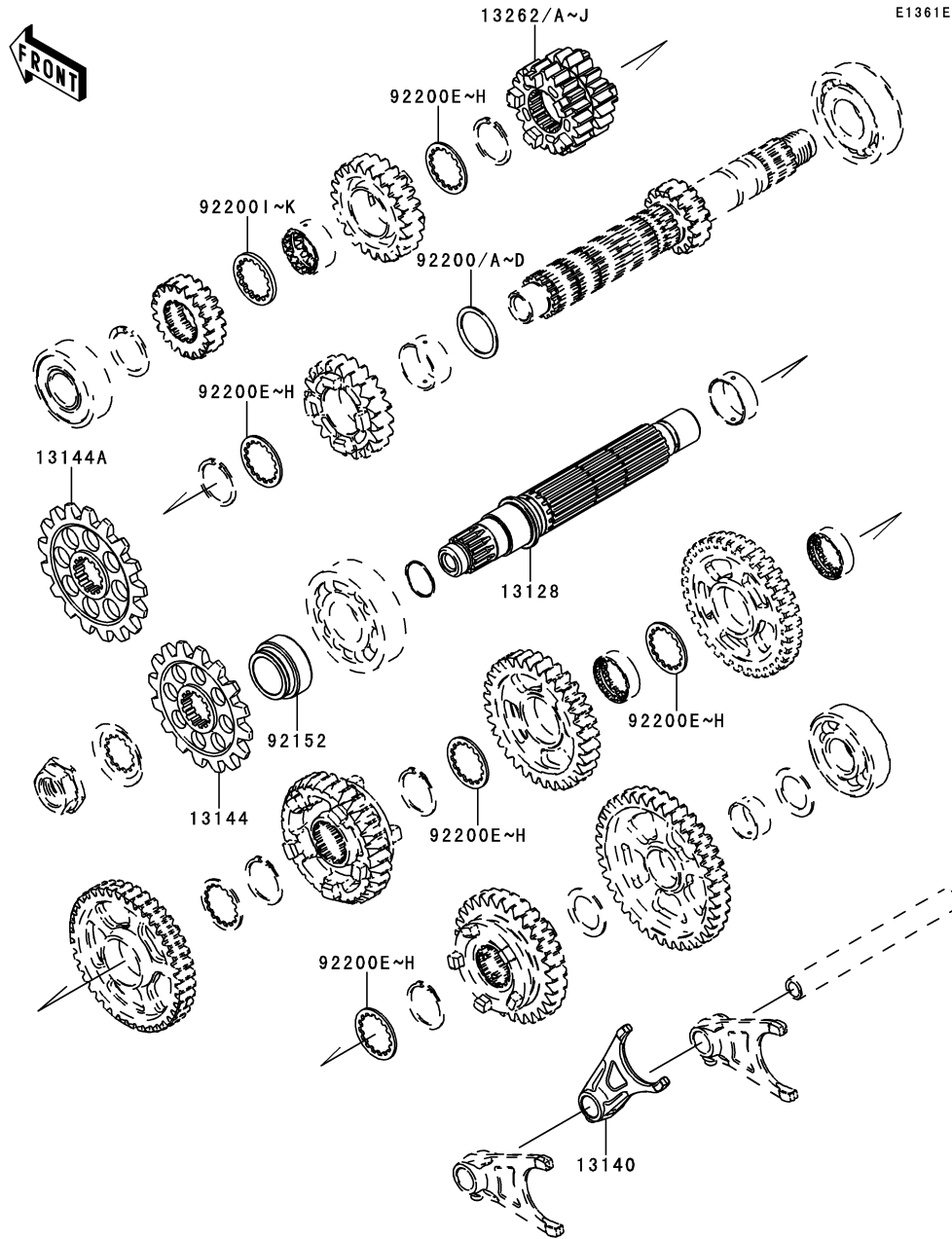
E1361D



Ref. No.	Part No.	Description	Spec Code	Quantity-ZX1000			
				'11			
92200K	92200-0750 (OPTION)	WASHER,28.3X34.0X3.0	AR				



Ref. No.	Part No.	Description	Spec Code	Quantity-ZX1000			
				'11			
13128	13128-0671	SHAFT-TRANSMISSION OUTPUT (OPTION)		1			
13140	13140-0625	FORK-SHIFT (OPTION)		1			
13144	13144-0021	SPROCKET-OUTPUT,16T,#520 (OPTION)		1			
13144A	13144-0022	SPROCKET-OUTPUT,17T,#520 (OPTION)		1			
13262	13262-0630	GEAR,INPUT 3RD&4TH,19T&21T,A/A (OPTION)		1			
13262A	13262-0632	GEAR,INPUT 3RD&4TH,19T&20T,B/B (OPTION)		1			
13262B	13262-0633	GEAR,INPUT 3RD&4TH,19T&21T,B/A (OPTION)		1			
13262C	13262-0634	GEAR,INPUT 3RD&4TH,19T&21T,B/C (OPTION)		1			
13262D	13262-0637	GEAR,INPUT 3RD&4TH,16T&20T,C/B (OPTION)		1			
13262E	13262-0638	GEAR,INPUT 3RD&4TH,16T&21T,C/A (OPTION)		1			
13262F	13262-0639	GEAR,INPUT 3RD&4TH,16T&21T,C/C (OPTION)		1			
13262G	13262-0640	GEAR,INPUT 3RD&4TH,21T&20T,D/B (OPTION)		1			
13262H	13262-0641	GEAR,INPUT 3RD&4TH,21T&21T,D/A (OPTION)		1			
13262I	13262-0665	GEAR,INPUT 3RD&4TH,19T&20T (OPTION)		1			
13262J	13262-0891	GEAR,INPUT 3RD&4TH,19T&21T (OPTION)		1			
92152	92152-1522	COLLAR,SPROCKET (OPTION)		1			
92200	92200-0051	WASHER,28.1X34.0X1.2 (OPTION)		AR			
92200A	92200-0225	WASHER,28.1X34.0X0.8 (OPTION)		AR			
92200B	92200-0226	WASHER,28.1X34.0X1.0 (OPTION)		AR			
92200C	92200-0227	WASHER,28.1X34.0X1.4 (OPTION)		AR			
92200D	92200-0228	WASHER,28.1X34.0X1.6 (OPTION)		AR			



Ref. No.	Part No.	Description	Spec Code	Quantity-ZX1000			
				'11			
92200E	92200-0229 (OPTION)	WASHER,28.3X34.0X1.2				AR	
92200F	92200-0230 (OPTION)	WASHER,28.3X34.0X1.4				AR	
92200G	92200-0231 (OPTION)	WASHER,28.3X34.0X1.8				AR	
92200H	92200-0232 (OPTION)	WASHER,28.3X34.0X2.0				AR	
92200I	92200-0748 (OPTION)	WASHER,28.3X34.0X2.6				AR	
92200J	92200-0749 (OPTION)	WASHER,28.3X34.0X2.8				AR	
92200K	92200-0750 (OPTION)	WASHER,28.3X34.0X3.0				AR	

This catalog covers:

'11 ZX1000JBFR Engine

GRID NO. ZX1000J-2011-2013

C-7

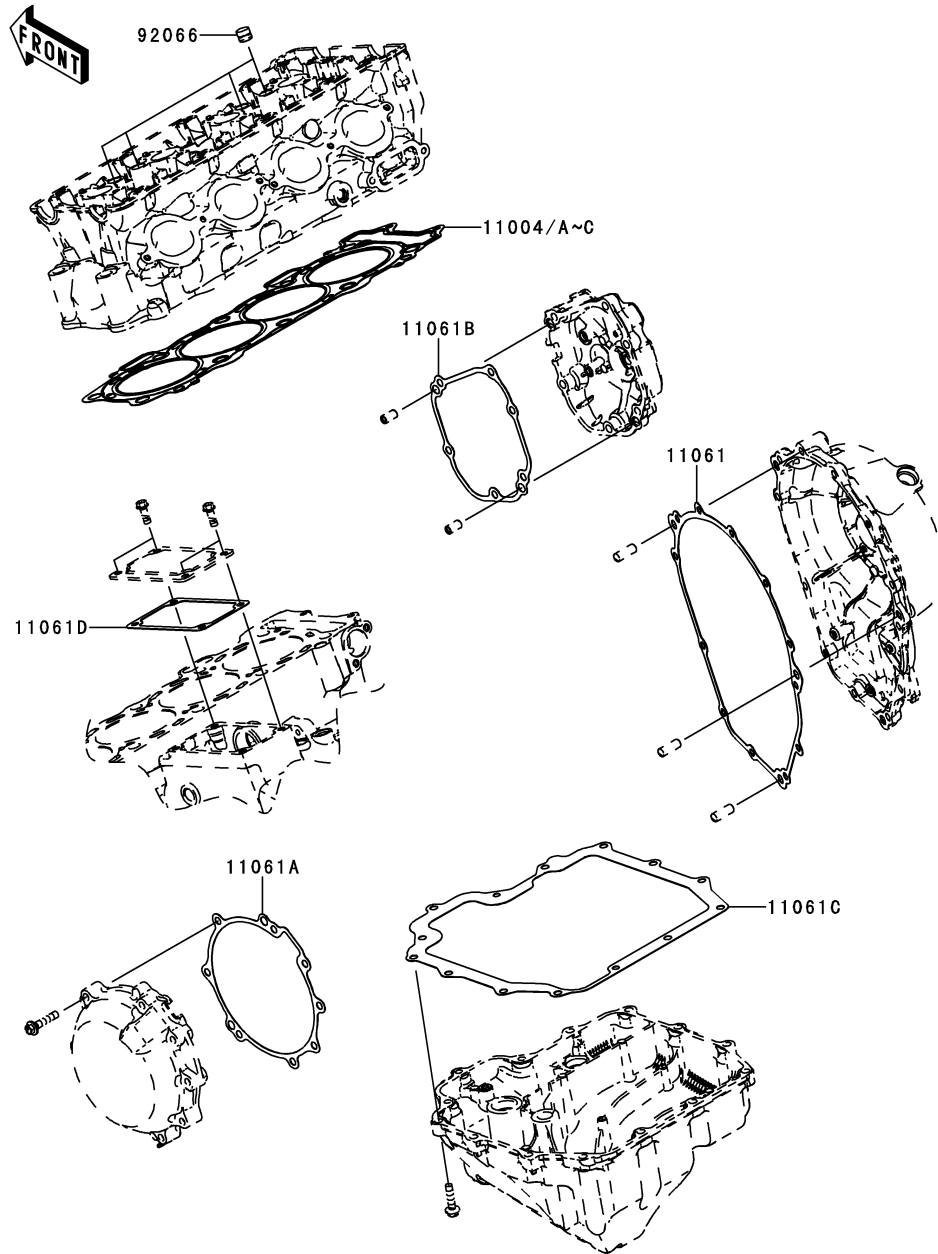
This grid covers:

Engine Cover(s)

Kawasaki

E1431

Ref. No.	Part No.	Description	Spec Code	Quantity-ZX1000	
				'11 JBFR	
11004	11004-0719 (OPTION)	GASKET-HEAD,T=0.65		1	
11004A	11004-0720 (OPTION)	GASKET-HEAD,T=0.60		1	
11004B	11004-0721 (OPTION)	GASKET-HEAD,T=0.55		1	
11004C	11004-0722 (OPTION)	GASKET-HEAD,T=0.50		1	
11061	11061-0754 (OPTION)	GASKET,CLUTCH COVER		1	
11061A	11061-0755 (OPTION)	GASKET,GENERATOR COVER		1	
11061B	11061-0756 (OPTION)	GASKET,PULSER COVER		1	
11061C	11061-0757 (OPTION)	GASKET,OIL PAN		1	
11061D	11061-0758 (OPTION)	GASKET,STARTER COVER		1	
92066	92066-1005 (OPTION)	PLUG		4	



This catalog covers:

'11 ZX1000JBFR Engine

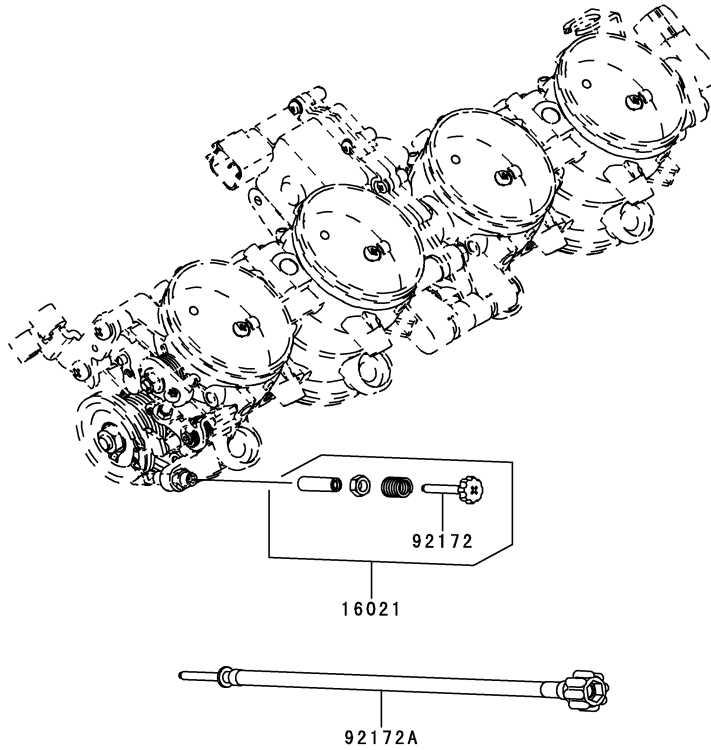
GRID NO. ZX1000J-2011-2013
C-8 Throttle

Kawasaki



E1510

Ref. No.	Part No.	Description	Spec Code	Quantity-ZX1000			
				'11			
16021	16021-0055 (OPTION)	SCREW-THROTTLE STOP				1	
92172	92172-0745 (OPTION)	SCREW				1	
92172A	92172-0746 (OPTION)	SCREW,REMOTE TYPE				1	



This catalog covers:

'11 ZX1000JBFR Engine

GRID NO. ZX1000J-2011-2013

C-9

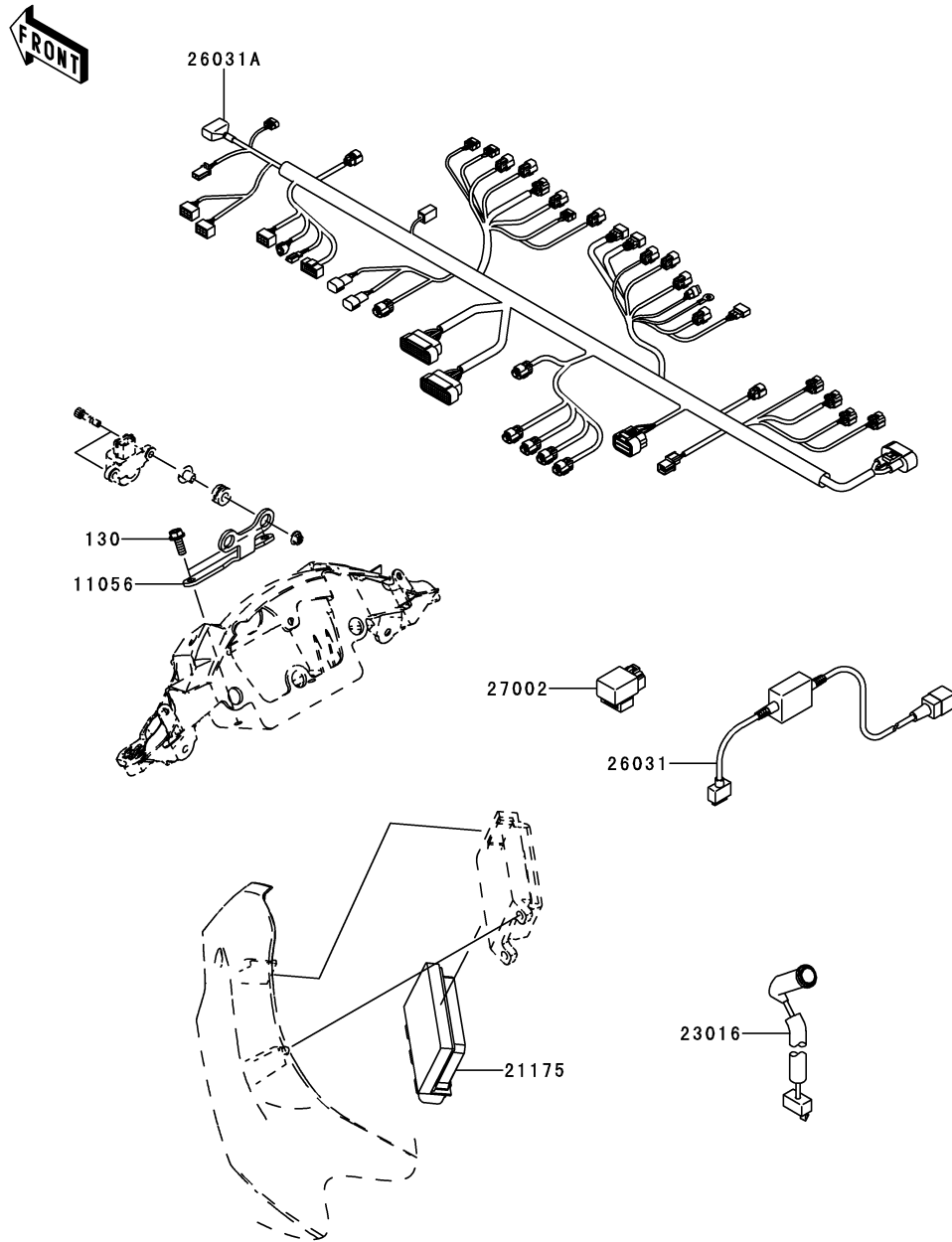
This grid covers:

Fuel Injection

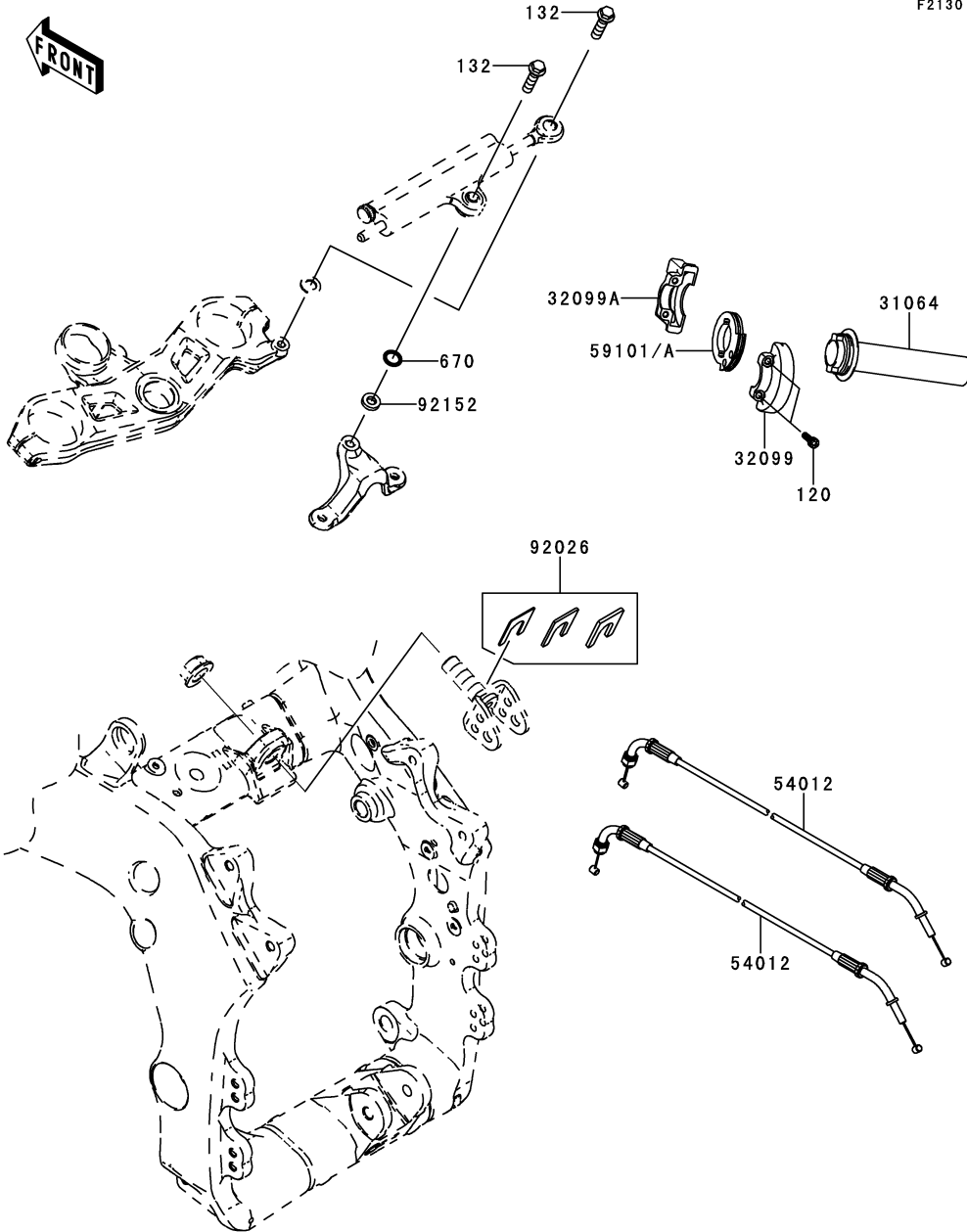
Kawasaki

E1530

Ref. No.	Part No.	Description	Spec Code	Quantity-ZX1000	
				'11	JBFR
11056	11056-1243 (OPTION)	BRACKET,TIP OVER SENSOR		1	
21175	21175-0756 (OPTION)	CONTROL UNIT-ELECTRONIC		1	
23016	23016-0006 (OPTION)	LAMP-ASSY,INDICATOR		1	
26031	26031-0999 (OPTION)	HARNESS,INTERFACE		1	
26031A	26031-1219 (OPTION)	HARNESS,KIT		1	
27002	27002-1062 (OPTION)	RELAY-ASSY		1	
130	130BA0616 (OPTION)	BOLT-FLANGED,6X16		2	



F2130



Ref. No.	Part No.	Description	Spec Code	Quantity-ZX1000	
				'11	JBFR
31064	31064-0187 (OPTION)	PIPE-COMP,GRIP			1
32099	32099-0046 (OPTION)	CASE,UPP			1
32099A	32099-0047 (OPTION)	CASE,LWR			1
54012	54012-0570 (OPTION)	CABLE-THROTTLE,HI			2
59101	59101-0008 (OPTION)	REEL,R19.7,65DEG			1
59101A	59101-0009 (OPTION)	REEL,R21.4,60DEG			1
92026	92026-0724 (OPTION)	SPACER,REAR HEIGHT ADJ.,SET			1
92152	92152-0798 (OPTION)	COLLAR,8X16X3.5			1
120	120CA0518 (OPTION)	BOLT-SOCKET,5X18			2
132	132BA0830 (OPTION)	BOLT-FLANGED-SMALL,8X30			2
670	670B2012 (OPTION)	O RING,12MM			1

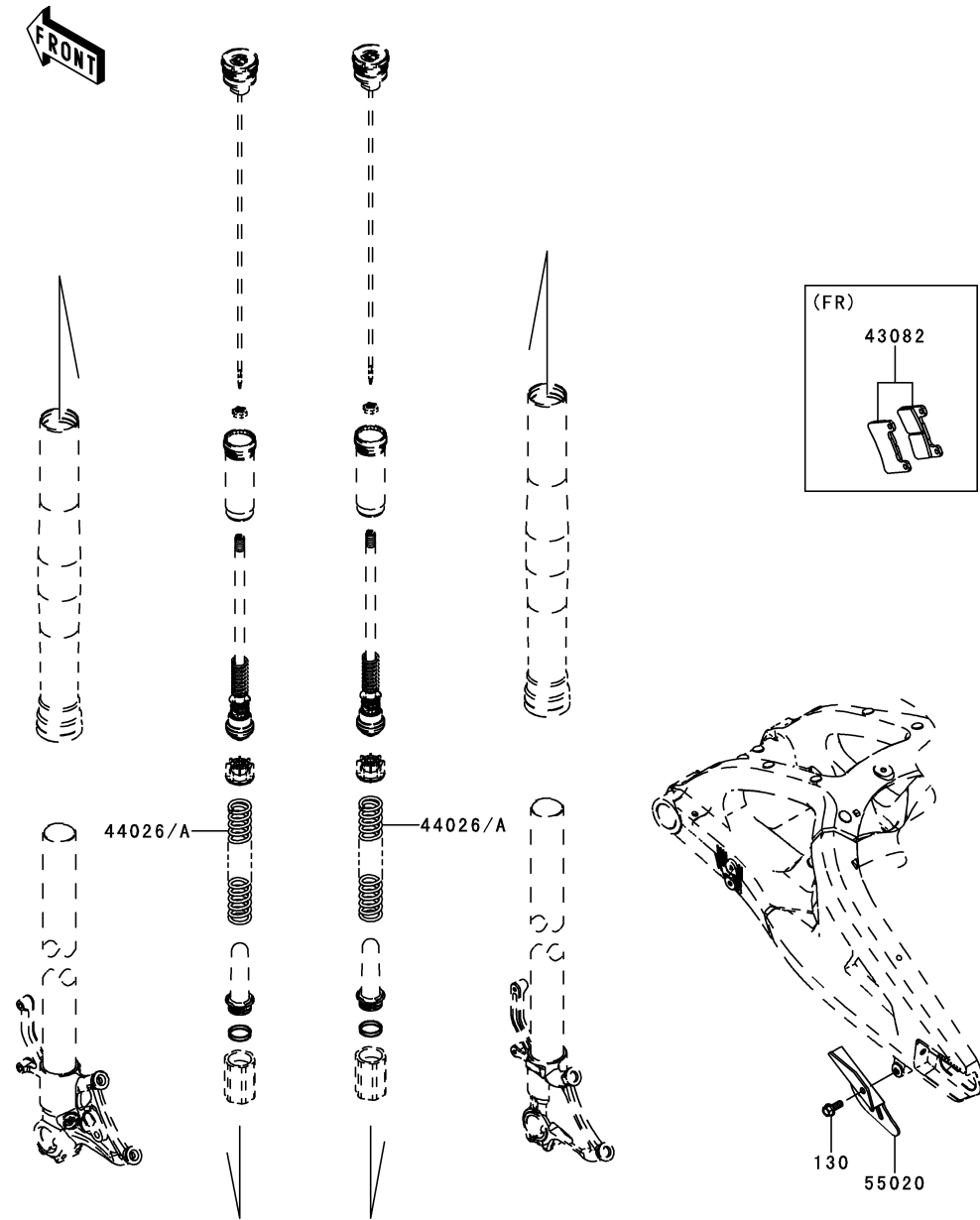
This catalog covers:

'11 ZX1000JBFR Chassis

GRID NO. ZX1000J 2011-2013
D-4 This grid covers:
Front Fork

Kawasaki

F2340



Ref. No.	Part No.	Description	Spec Code	Quantity-ZX1000			
				'11			
43082	43082-0088 (OPTION)	PAD-ASSY-BRAKE,FR,F9633		2			
44026	44026-0163 (OPTION)	SPRING-FRONT FORK,K=9.75N/MM		2			
44026A	44026-0164 (OPTION)	SPRING-FRONT FORK,K=10.75N/MM		2			
55020	55020-0795 (OPTION)	GUARD,CHAIN		1			
130	130BA0820 (OPTION)	BOLT-FLANGED,8X20		1			

2016 ZX-10R kit part list

* separated 3 part, for ZX1000R, common parts and ZX1000J

New Parts dedicate esclusivamente al Nuovo Modello 2016

Part#	qty	NAME	REMARKS	ORIGIN	ORDER QUANTITY	PRICE IVA ESCLUSA	PRICE IVA INCLUSA
OPTIONAL FRONT FORK SPRING					chassis setting		
44026-0203	2	SPRING-FRONT	K=10.75N/mm	NEW		€ 45,69	€ 55,74
44026-0204	2	SPRING-FRONT	K=11.75N/mm	NEW		€ 45,69	€ 55,74
ELECTRIC HARNESS					to accommodate kit ECU in various manner		
26031-2113	1	HARNESS, MAIN		NEW		€ 489,58	€ 597,29
FUEL INJECTION					mapping programmable		
21175-1205	1	CONTROL UNIT-with CD		NEW		€ 696,12	€ 849,27
57001-0011	1	ADAPTER SET	connecting kit between ECU and lap	NEW		€ 367,19	€ 447,98
FOR DIMENSION ADJUSTMENT							
92152-2253	2	COLLAR	steering angle adjuster, 23 deg	NEW		T.B.A.	T.B.A.
92152-2255	2	COLLAR	steering angle adjuster, 23.5 deg	NEW		T.B.A.	T.B.A.
92152-2257	2	COLLAR	+/-4mm	NEW		T.B.A.	T.B.A.
92048-1110	2	RACE, OUTER		NEW		T.B.A.	T.B.A.
92152-2259	1	COLLAR, PIVOT	swing arm, LH, +/-0mm	NEW		T.B.A.	T.B.A.
92152-2260	1	COLLAR, PIVOT	swing arm, RH, +/-0mm	NEW		T.B.A.	T.B.A.
CYLINDER HEAD GASKETS					compression adjustment		
11004-0765	1	GASKET, HEAD, t=0.85	t=0.85	NEW		€ 21,24	€ 25,91
11004-0766	1	GASKET, HEAD, t=0.80	t=0.80	NEW		€ 21,24	€ 25,91
11004-0767	1	GASKET, HEAD, t=0.75	t=0.75	NEW		€ 21,24	€ 25,91
11004-0768	1	GASKET, HEAD, t=0.70	t=0.70	NEW		€ 21,24	€ 25,91
OIL CATCH TANK (FITTING: see common parts)							
52001-0009	1	TANK-OIL	changed mounting boss.	NEW		€ 198,71	€ 242,43
130BB0618	2	BOLT-FLANGED	for mounting regulator	MASS			

Parti comuni che vanno bene sia sul Nuovo Modello 2016 che sulla attuale versione 2011-2015

Part#	qty	NAME	REMARKS	ORIGIN	ORDER QUANTITY	PRICE IVA ESCLUSA	PRICE IVA INCLUSA
CHAIN GUARD					safety regulation		
130BA0820	1	BOLT-FLANGED		MASS			
55020-0795	1	GUARD		ZX1000J		€ 33,68	€ 41,09
FOR STABLE STEERING							
670B2012	2	O RING		MASS			
132BA0830	2	BOLT		MASS			
92152-0798	1	COLLAR		ZX600R		€ 26,81	€ 32,71
OHLINS DAMP	1	STEERING DAMPER		3rd party			
CYLINDER HEAD GASKETS					compression adjustment		
11004-0719	1	GASKET, HEAD, t=0.65	t=0.65	ZX1000J		€ 19,82	€ 24,18
11004-0720	1	GASKET, HEAD, t=0.60	t=0.60	ZX1000J		€ 19,82	€ 24,18
11004-0721	1	GASKET, HEAD, t=0.55	t=0.55	ZX1000J		€ 19,82	€ 24,18
11004-0722	1	GASKET, HEAD, t=0.50	t=0.50	ZX1000J		€ 19,82	€ 24,18
OPTIONAL CAMSHAFT					more performance		
49118-0728	1	SHAFT-CAM, INLET		ZX1000J		€ 86,60	€ 105,66
49118-0869	1	SHAFT-CAM, EXHAUST	available to use ZX1000R STD for Z	MASS			
12046-0034	1	SPROCKET, CAM		MASS			
92153-0455	2	BOLT, SPROCKET		MASS			
CONROD BIG END METAL (for STOCK conrod)					anti seizure and wear resistance		
92139-0754	8	BUSHING	FOR STD-ROD BLUE	ZX1000J		€ 25,85	€ 31,53
92139-0755	8	BUSHING	FOR STD-ROD BLACK	ZX1000J		€ 25,85	€ 31,53
92139-0756	8	BUSHING	FOR STD-ROD BROWN	ZX1000J		€ 25,85	€ 31,53
92139-0757	8	BUSHING	FOR STD-ROD PINK	ZX1000J		€ 25,85	€ 31,53
CRANKSHAFT JOURNAL METAL					anti seizure and wear resistance		
92139-0746	6	BUSHING	1st/3rd/5th journal, BLUE	ZX1000J		€ 25,85	€ 31,53

92139-0747	6	BUSHING	1st/3rd/5th journal BLACK	ZX1000J	€ 25,85	€ 31,53
92139-0748	6	BUSHING	1st/3rd/5th journal BROWN	ZX1000J	€ 25,85	€ 31,53
92139-0749	6	BUSHING	1st/3rd/5th journal PINK	ZX1000J	€ 25,85	€ 31,53
92139-0750	4	BUSHING	2nd/4th journal, BLUE	ZX1000J	€ 25,85	€ 31,53
92139-0751	4	BUSHING	2nd/4th journal BLACK	ZX1000J	€ 25,85	€ 31,53
92139-0752	4	BUSHING	2nd/4th journal BROWN	ZX1000J	€ 25,85	€ 31,53
92139-0753	4	BUSHING	2nd/4th journal PINK	ZX1000J	€ 25,85	€ 31,53
GASKET FOR COVERS easier removal for repeated service						
11061-0754	1	GASKET, CLUTCH COVER		ZX1000J	€ 41,76	€ 50,95
11061-0755	1	GASKET, GENERATOR COVER		ZX1000J	€ 12,04	€ 14,69
11061-0756	1	GASKET, PULSOR COVER		ZX1000J	€ 9,92	€ 12,10
11061-0757	1	GASKET, OIL PAN		ZX1000J	€ 41,76	€ 50,95
11061-0758	1	GASKET, STARTER COVER		ZX1000J	€ 4,95	€ 6,04
CAM CHAIN TENSIONER						
12048-0082	1	TENSIONER-ASSY		ZX1000J	€ 399,82	€ 487,78
92210-0630	1	NUT	spare parts to 12048-0082	MASS		
92055-0053	1	RING-O	spare parts to 12048-0082	MASS		
92055-011	1	RING-O	spare parts to 12048-0082	MASS		
13116-1166	1	ROD-PUSH	spare rod	ZX600G	€ 36,00	€ 43,92
SLIPPER CLUTCH ADJUSTMENT PARTS adjust slipper clutch setting						
13089-0003	1	PLATE,-CLUTCH, SPRING	STD	MASS		
13089-0011	1	SPRING PLATE	STD +40%	ZX1000C	€ 100,63	€ 122,76
13089-0012	1	SPRING PLATE	STD +60%	ZX1000C	€ 100,63	€ 122,76
39108-0005	6	RETAINER	CLUTCH-SPRING	ZX600N	€ 4,28	€ 5,22
13091-1041	6	RETAINER	CLUTCH-SPRING	MASS		
92022-304	6	WASHER	CLUTCH-SPRING	MASS		
CHANGE MECHANISM						
13140-0625	1	SHIFT, FORK, INPUT		ZX1000J	€ 71,88	€ 87,70
VARIETY OF 3RD/4TH-IN						
13262-0630	1	GEAR 3/4-IN A/A		ZX1000E	€ 79,20	€ 96,62
13262-0665	1	GEAR 3/4-IN A/B		MASS		
13262-0891	1	GEAR 3/4-IN A/C		STD		
13262-0633	1	GEAR 3/4-IN:B/A		ZX1000E	€ 83,51	€ 101,88
13262-0632	1	GEAR 3/4-IN:B/B		ZX1000E	€ 83,51	€ 101,88
13262-0634	1	GEAR 3/4-IN:B/C		ZX1000E	€ 83,51	€ 101,88
13262-0638	1	GEAR 3/4-IN:C/A		ZX1000E	€ 83,51	€ 101,88
13262-0637	1	GEAR 3/4-IN:C/B		ZX1000E	€ 83,51	€ 101,88
13262-0639	1	GEAR 3/4-IN:C/C		ZX1000E	€ 109,44	€ 133,52
13262-0641	1	GEAR 3/4-IN:D/A		ZX1000E	€ 123,83	€ 151,07
13262-0640	1	GEAR 3/4-IN:D/B		ZX1000E	€ 123,83	€ 151,07
TRANSMISSION (TYPE-A)						
13127-0638	1	SHAFT-TRANSMISSION, INPUT	15T	ZX1000J	€ 194,07	€ 236,77
13128-0671	1	SHAFT-TRANSMISSION, OUTPUT		ZX1000J	€ 179,69	€ 219,22
13262-0664	1	GEAR 1ST-OUT(38T)		ZX1000E	€ 108,73	€ 132,64
13262-0856	1	GEAR 2ND-IN(19T)		STD		
13262-0880	1	GEAR 2ND-OUT(39T)		STD		
13262-0618	1	GEAR 3RD-OUT(33T)		STD		
13262-0645	1	GEAR 4TH-OUT(32T)		ZX1000E	€ 230,40	€ 281,08
13262-0648	1	GEAR 5TH-IN(21T)		ZX1000E	€ 93,60	€ 114,19
13262-0901	1	GEAR 5TH-OUT(29T)		ZX1000J	€ 155,52	€ 189,73
13262-0622	1	GEAR 6TH-IN(23T)		MASS		
13262-0905	1	GEAR 6TH-OUT(30T)		ZX1000J	€ 90,72	€ 110,68
TRANSMISSION (TYPE-B)						
13127-0639	1	SHAFT-TRANSMISSION, INPUT		ZX1000J	€ 194,07	€ 236,77
13262-0624	1	GEAR 1ST-OUT(31T)		ZX1000E	€ 108,73	€ 132,64
13262-0895	1	GEAR 2ND-IN(19T)		ZX1000J	€ 105,83	€ 129,11
13262-0898	1	GEAR 2ND-OUT(37T)		ZX1000J	€ 93,60	€ 114,19
13262-0642	1	GEAR 3RD-OUT(34T)		ZX1000E	€ 97,92	€ 119,46
13262-0619	1	GEAR 4TH-OUT(31T)		STD		
13262-0881	1	GEAR 5TH-IN(20T)		STD		
13262-0902	1	GEAR 5TH-OUT(26T)		ZX1000J	€ 106,55	€ 129,99
13262-0652	1	GEAR 6TH-IN(21T)		ZX1000E	€ 93,60	€ 114,19
13262-0906	1	GEAR 6TH-OUT(29T)		ZX1000J	€ 215,99	€ 263,51

TRANSMISSION (TYPE-C)						
13127-0640	1	SHAFT-TRANSMISSION, INPUT(14T)		ZX1000J	€ 194,07	€ 236,77
13262-0625	1	GEAR 1ST-OUT(34T)		ZX1000E	€ 108,73	€ 132,64
13262-0896	1	GEAR 2ND-IN(18T)		ZX1000J	€ 105,83	€ 129,11
13262-0899	1	GEAR 2ND-OUT(38T)		ZX1000J	€ 93,60	€ 114,19
13262-0643	1	GEAR 3RD-OUT(28T)		ZX1000E	€ 97,92	€ 119,46
13262-0646	1	GEAR 4TH-OUT(33T)		ZX1000E	€ 230,40	€ 281,08
13262-0620	1	GEAR 5TH-IN(20T)		STD		
13262-0903	1	GEAR 5TH-OUT(28T)		ZX1000J	€ 155,52	€ 189,73
13262-0869	1	GEAR 6TH-IN(23T)		STD		
13262-0907	1	GEAR 6TH-OUT(31T)		ZX1000J	€ 106,55	€ 129,99
TRANSMISSION (TYPE-D)						
13127-0641	1	SHAFT-TRANSMISSION, INPUT(16T)		ZX1000J	€ 194,07	€ 236,77
13262-0626	1	GEAR 1ST-OUT(37T)		ZX1000E	€ 108,73	€ 132,64
13262-0897	1	GEAR 2ND-IN(18T)		ZX1000J	€ 105,83	€ 129,11
13262-0900	1	GEAR 2ND-OUT(36T)		ZX1000J	€ 100,79	€ 122,97
13262-0644	1	GEAR 3RD-OUT(36T)		ZX1000E	€ 97,92	€ 119,46
13262-0904	1	GEAR 5TH-OUT(30T)		ZX1000J	€ 155,52	€ 189,73
13262-0654	1	GEAR 6TH-IN(22T)		ZX1000E	€ 86,39	€ 105,39
13262-0908	1	GEAR 6TH-OUT(28T)		ZX1000J	€ 115,20	€ 140,54
TRANSMISSION (TYPE-E)						
13127-0642	1	SHAFT-TRANSMISSION, INPUT		ZX1000J	€ 194,07	€ 236,77
13262-0615	1	GEAR 1ST-OUT(39T)		STD		
13262-0655	1	GEAR 6TH-IN(21T)		ZX1000E	€ 86,39	€ 105,39
13262-0909	1	GEAR 6TH-OUT(26T)		ZX1000J	€ 90,72	€ 110,68
TRANSMISSION (TYPE-F)						
13262-0656	1	GEAR 6TH-IN(24T)		ZX1000E	€ 86,39	€ 105,39
TRANSMISSION (TYPE-G)						
13262-0657	1	GEAR 6TH-IN(22T)		ZX1000E	€ 86,39	€ 105,39
TRANSMISSION SHIM						
			keep axial clearance			
92200-0051		SHIM	5TH IN, t=1.2	MASS		
92200-0225		SHIM	5TH IN, t=0.8	ZX1000C	€ 12,09	€ 14,75
92200-0226		SHIM	5TH IN, t=1.0	ZX1000C	€ 8,20	€ 10,01
92200-0227		SHIM	5TH IN, t=1.4	ZX1000C	€ 4,61	€ 5,62
92200-0228		SHIM	5TH IN, t=1.6	MASS		
92200-0229		SHIM	6TH IN, t=1.2	ZX1000C	€ 8,20	€ 10,01
92200-0230		SHIM	6TH IN, t=1.4	ZX1000C	€ 8,20	€ 10,01
92200-0231		SHIM	6TH IN, t=1.8	ZX1000C	€ 8,20	€ 10,01
92200-0232		SHIM	6TH IN, t=2.0	ZX1000C	€ 8,20	€ 10,01
92200-0748		SHIM	2ND IN, t=2.6	ZX1000J	€ 21,60	€ 26,35
92200-0749		SHIM	2ND IN, t=2.8	ZX1000J	€ 21,60	€ 26,35
92200-0750		SHIM	2ND IN, t=3.0	ZX1000J	€ 21,60	€ 26,35
SECONDARY AIR						
92066-1005	4	PLUG		MASS		
TACHO ACCESSORY						
23016-0556	1	LAMP-ASSY	shift timing indicator	ZX1000J	€ 41,76	€ 50,94
OIL CATCH TANK FITTING						
	1	TANK-OIL	Dedicated part. See ZX1000R/J list.			
11056-1232	1	BRACKET	above tank	ZX1000J	€ 9,35	€ 11,41
11056-1233	1	BRACKET	below tank	ZX1000J	€ 5,46	€ 6,66
130BA0620	4	SCREW	ZX1000J is used 2 pcs.	MASS		
130BD0610	1	BOLT-FLANGED	drain	MASS		
92022-304	1	WASHER	drain	MASS		
92171-0338	4	CLAMP		MASS		
92192-1025	1	TUBE	airbox end	ZX1000J	€ 7,87	€ 9,60
92192-1026	1	TUBE	case end	ZX1000J	€ 8,58	€ 10,47
92027-194	2	COLLAR		MASS		
92075-277	2	DAMPER		MASS		
REAR HIGHT ADJUSTMENT SPACERS						
92026-0724	1	SPACER SET		ZX1000J	€ 54,00	€ 65,88

Parti ancora in listino destinate esclusivamente all'attuale versione 2011-2015

Part#	qty	NAME	REMARKS	ORIGIN	ORDER QUANTITY	PRICE IVA ESCLUSA	PRICE IVA INCLUSA
HI-THROTTLE KIT							
120CA0518	2	BOLT	preciser throttle work	MASS			
31064-0187	1	GRIP INNER PIPE	grip inner pipe	ZX1000E		€ 134,11	€ 163,62
32099-0046	1	THROTTLE CASE	upper, high-throttle	ZX1000E		€ 109,03	€ 133,01
32099-0047	1	THROTTLE CASE	lower, high-throttle	ZX1000E		€ 109,03	€ 133,01
59101-0008	1	THROTTLE REEL	R19.7/65DEG	ZX1000E		€ 123,10	€ 150,19
59101-0009	1	THROTTLE REEL	R21.4/60DEG	ZX1000E		€ 110,79	€ 135,17
54012-0570	2	CABLE-THROTTL	good for open and close	ZX1000J		€ 21,42	€ 26,13
FRONT BRAKE PAD							
43082-0088	1	PAD-ASSY-BRAKE	shift timing indicator	ZX1000J		€ 64,79	€ 79,05
OPTIONAL FRONT FORK SPRING							
chassis setting							
44026-0163	2	SPRING-FRONT	K=9.75N	ZX1000J		€ 39,98	€ 48,78
44026-0164	2	SPRING-FRONT	K=10.75N	ZX1000J		€ 39,98	€ 48,78
ELECTRIC HARNESS							
to accommodate kit ECU in various manner							
26031-1219	1	HARNESS, MAIN		ZX1000J		€ 453,58	€ 553,37
11056-1243	1	BRACKET, CRASH SENSOR		ZX1000J		€ 25,19	€ 30,74
130BA0616	2	BOLT		MASS			
OIL CATCH TANK (FITTING: see common parts)							
52001-0553	1	TANK-OIL		ZX1000J		€ 191,52	€ 233,65
ENGINE SPROCKET							
13144-0021	1	SPROCKET-OUTP	#520-16T	ZX1000C			
13144-0022	1	SPROCKET-OUTP	#520-17T	ZX1000C			
92152-1522	1	COLLAR, SPROCKET		ZX1000J			
FUEL INJECTION							
mapping programmable							
21175-0756	1	CONTROL UNIT-with CD		ZX1000J		€ 632,20	€ 771,28
26031-0999	1	HARNESS, INTERFACE	USB type	ZX1000J		€ 329,03	€ 401,42
THROTTLE STOP SCREW							
16021-0055	1	THROTTLE STOP SCREW	idle adjuster	ZX1000J		€ 5,15	€ 6,28
92172-0745	1	spare part to 16021-0055(screw knob)		ZX1001J		€ 0,86	€ 1,04
92172-0746	1	spare part to 16021-0055(optional screw knob)		ZX1000J		€ 12,97	€ 15,82